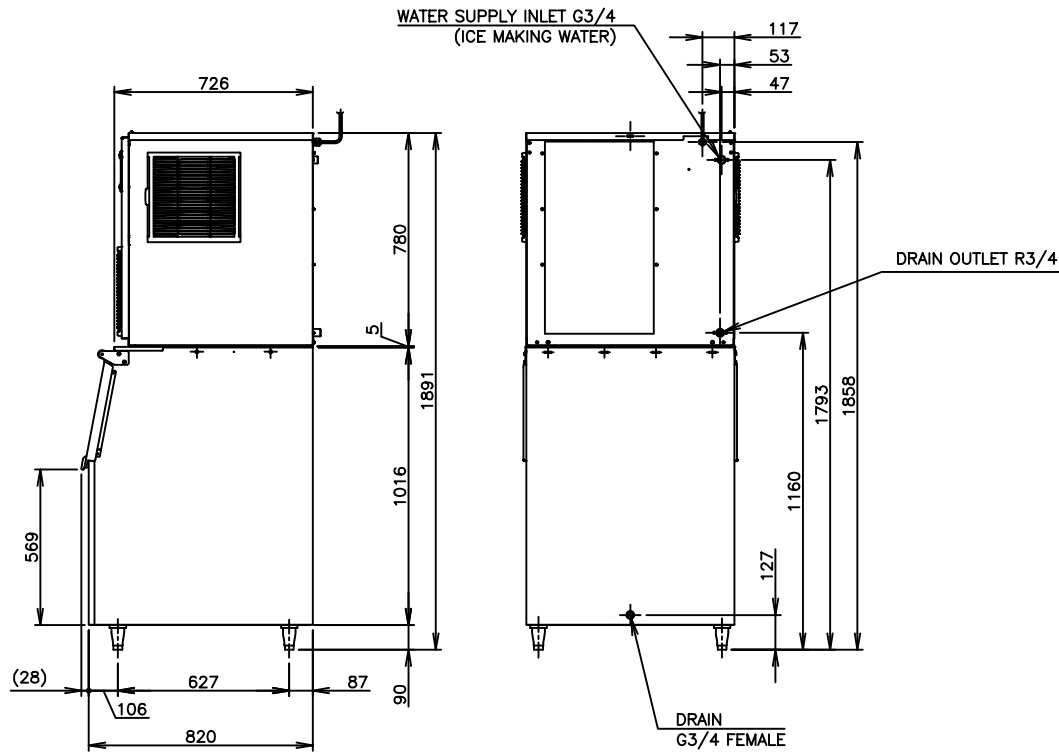
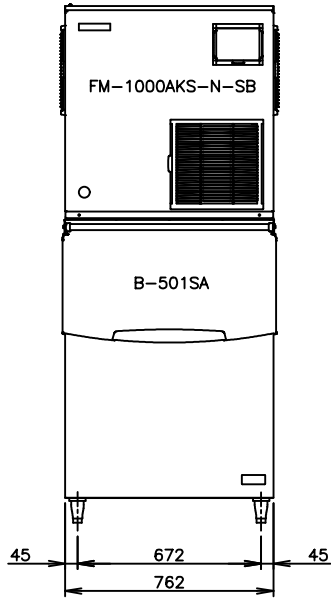


1. Install the ice maker properly in accordance with the instructions on location, water supply/drain connections and electrical connections stated in the instruction and installation manuals provided. Allow 10mm extra space at the installation site to meet any installation requirements (additional spacing is also required for proper air flow and pipe connections).
2. The ice production depends on the ambient and WTeratures. Refer to the instruction manual.
3. Product code: F307-D002,F307-D003 (ICEMAKER) G007 (STORAGE BIN)



ITEM	HOSHIZAKI NUGGET ICE MAKER
MODEL	FM-1000AKS-N-SB-B-501SA
POWER SUPPLY	1 Phase 220-240V 50Hz Capacity: 3.9kVA (20.7A)
AMPERAGE	12.5A Starting: 76A
ELECTRIC CONSUMPTION	2550W (Power Factor: 88%)
ICE PRODUCTION PER 24h	Approx. 860kg (AT. 10°C, WT. 10°C) Approx. 730kg (AT. 21°C, WT. 15°C) Approx. 590kg (AT. 32°C, WT. 21°C)
SHAPE OF ICE	Nugget
STORAGE CAPACITY	Approx. 173kg (Maximum 217kg)
WATER CONSUMPTION PER 24h	Approx. 0.87m ³ (AT. 10°C, WT. 10°C) Approx. 0.74m ³ (AT. 21°C, WT. 15°C) Approx. 0.60m ³ (AT. 32°C, WT. 21°C)
OUTSIDE DIMENSIONS	762mm (W) x 820mm (D) x 1891 (- 1921)mm (H)
INSULATION	Polyurethane Foam
INSULATION FOAM BLOWING AGENT	STORAGE BIN: Cyclopentane/CFC Free/ODP: 0/GWP: 3
HEAT REJECTION	4470W (AT. 32°C, WT. 21°C)
CABINET	Stainless Steel, Galvanized Steel (Rear)
STORAGE BIN	EXTERIOR Stainless Steel, Galvanized Steel (Rear), Plastic Door INTERIOR Polyethylene
ICE MAKING SYSTEM	Thin ice forming inside Cylinder (Nugget Ice)
WATER SUPPLY SYSTEM	Direct Connection to Water Main, Inlet: G3/4 (Rear)
DRAIN SYSTEM	ICE MAKER: Outlet R3/4 (Rear) STORAGE BIN: Female G3/4 (Rear)
COMPRESSOR	Hermetic
CONDENSER	Fin and Tube Type, Air-cooled
EVAPORATOR	Tube coiled around Cylinder (Solder Plated)
REFRIGERANT	R404A/1350g
BIN CONTROL	Actuator and Reed Switch (Time delay controlled)
ICEMAKING WATER CONTROL	Float Switch and Solenoid Valve
ELECTRIC CIRCUIT PROTECTION	Circuit Breaker, Earth Wire
REFRIGERANT CIRCUIT PROTECTION	Compressor Internal Thermostat (Auto-reset), Pressure Switch (Auto-reset)
MECHANISM PROTECTION	Micro Switch (Manual-reset)
INTERLOCK	Shutdown by Microprocessor (Manual-reset)
WEIGHT	ICE MAKER: 146kg (Gross 156kg) STORAGE BIN: 47kg (Gross 57kg)
PACKAGE	ICE MAKER: Carton 873mm (W) x 820mm (D) x 947mm (H) STORAGE BIN: Carton 866mm (W) x 924mm (D) x 1138mm (H)
ACCESSORIES	Mounting Bracket, Installation Kit, Scoop
OPERATING CONDITIONS	Ambient Temp. : 5 - 40°C, Water Supply Temp. : 5 - 35°C Water Supply Pressure: 0.07 - 0.7MPa Voltage Range: Rated Voltage ±10%

*We reserve the right to make changes in specifications and design without prior notice.

HOSHIZAKI NUGGET ICE MAKER FM-1000AKS-N-SB-B-501SA

APPROVED LIANGK	CHECKED MTX	DESIGNED MTX	DRAWN LXF	SCALE 1/20	TRIGONOMETRY
*	*	△	*	DATE 2026.04.28	DRAWING NO. D46121
APPROVED	DESIGNED	SYMBOL	DATE		SYMBOL △