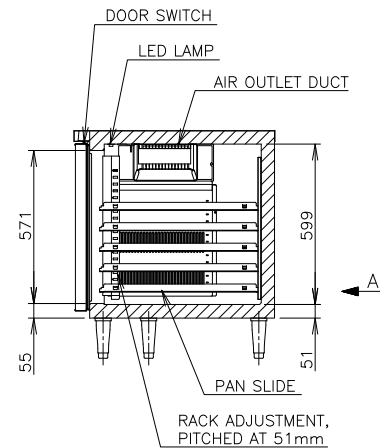
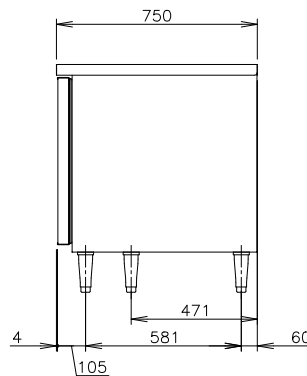
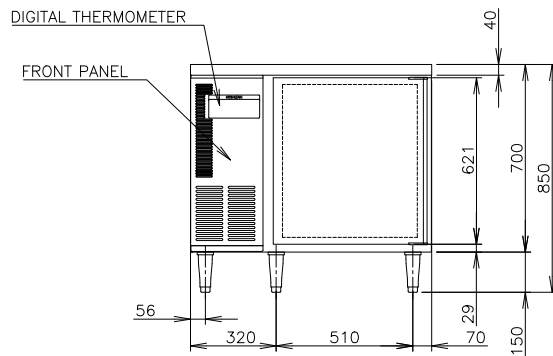
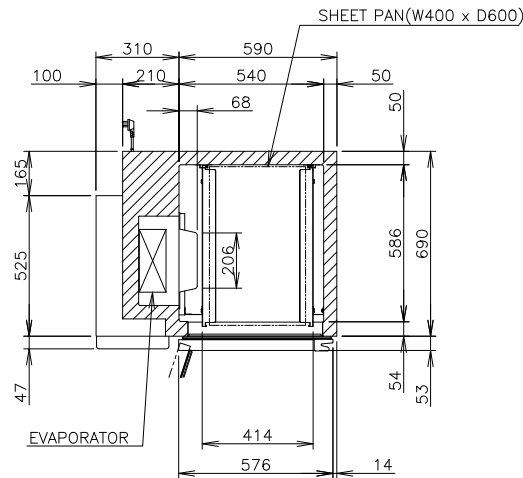
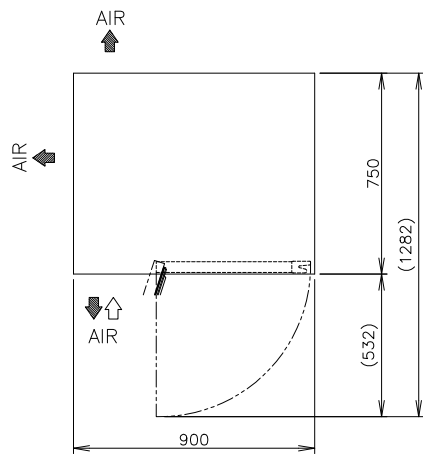
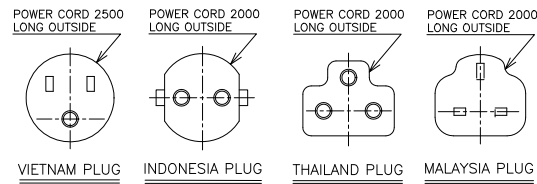


VIEW A(1/10)



ITEM	Hoshizaki Undercounter Freezer
MODEL	FT-98MC-S-ST
POWER SUPPLY	1 Phase 220-240V 50Hz Capacity: 0.63kVA (2.90A)
AMPERAGE	Rated 1.5A
ELECTRIC CONSUMPTION	Motor 190W(Power Factor 76%) Heater 209W Refrigeration 209W Defrost 190W
HEAT REJECTION	533W
POWER CORD	Plug with Earth Wire
EFFECTIVE CAPACITY	197L
OUTSIDE DIMENSIONS	900mm (W) x 750mm (D) x 850(-880) mm (H)
INSIDE DIMENSIONS	540mm (W) x 586mm (D) x 599mm (H)
EXTERIOR	Stainless Steel, Galvanized Steel (Rear/Bottom) ABS Plastic (Top & Bottom on Door)
INTERIOR	Stainless Steel, Stainless Door Pack
INSULATION	Polyurethane Foam
INSULATION FOAM BLOWING AGENT	Cyclopentane
REFRIGERATION SYSTEM	Forced Air Circulation
DEFROST SYSTEM	Glass Tube Heater
COMPRESSOR	Hermetic
CONDENSER	Fin and Tube type, Air-cooled
EVAPORATOR	Fin and Tube Type
REFRIGERANT	R290
TEMPERATURE CONTROL	Microprocessor (Digital Temp Indication) Adjustable from -6 to 12°C
DEFROST CONTROL	Microprocessor controlled
ELECTRIC CIRCUIT PROTECTION	Fuse, Earth Wire
COMPRESSOR PROTECTION	Motor Protector
LEG	Plastic Adjustable 150 to 180mm
SHELF	Tray Shelf (5 tiers)
WEIGHT	Net: 68kg (Gross: Approx. 80kg)
PACKAGE	Carton 965mm (W) x 830mm (D) x 845mm (H)
ACCESSORIES	-
OPERATING CONDITIONS	Ambient Temperature: 5-38°C Voltage Range: Rated Voltage±6%

*We reserve the right to make changes in specifications and design without prior notice.

1. Install the product properly in accordance with the instructions on location, electrical connections stated in the instruction manual provided. Allow 10mm extra space at the installation site to meet any installation requirements (additional spacing is also required for proper air flow and pipe connections).
2. The heat rejection is based on the reached pull-down temperature at ambient temperature of 35°C and power supply of 230V 50Hz. The amperage and electric consumption are based on measurements at ambient temperature of 38°C and power supply of 230V 50Hz.
3. The cabinet temperature range of -6 to 12°C is guaranteed at ambient temperature of 30°C.
4. Product code: T434-V140(VIETNAM)
T434-V240(INDONESIA)
T434-V340(THAILAND)
T434-V440(MALAYSIA)