



HOSHIZAKI

CERTIFICATION



HACCP International



ISO9001



Compliant with IEC60335-2-89 Standard

RT-96MC-S UNDERCOUNTER REFRIGERATOR



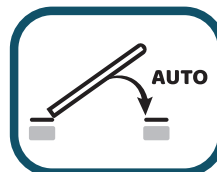
Key Features



Lower running cost



Powerful cooling performance



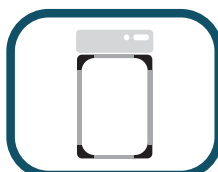
Self Closing Door



Removal door gaskets



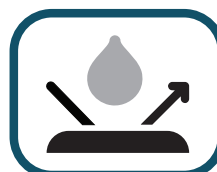
Food Guard Shelf



Round Interior Corners



Large and clear display



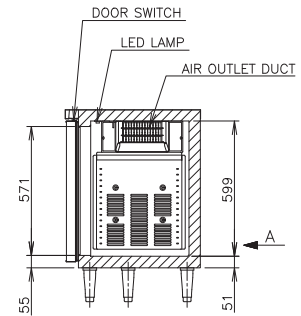
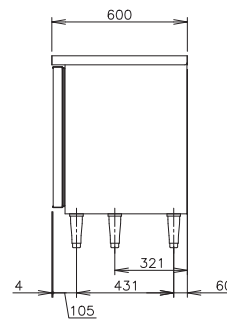
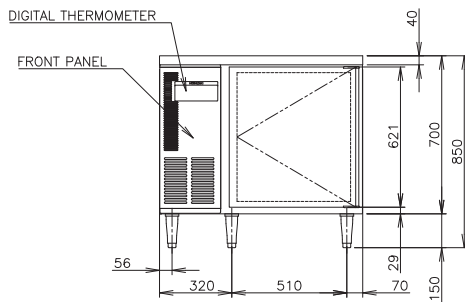
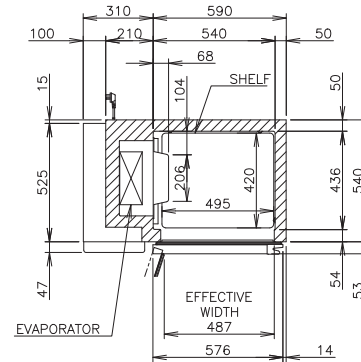
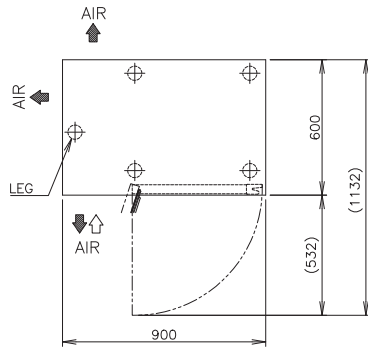
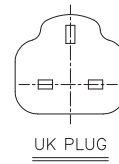
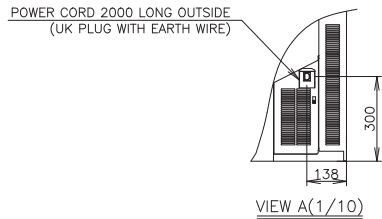
Drainage-Free Design



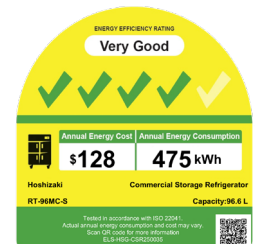
LED lighting



Dimensions & Specifications



MODEL	RT-96MC-S
POWER SUPPLY	1 Phase 220-240V 50Hz Capacity: 0.41kVA (1.86A)
ELECTRIC CONSUMPTION	1.30kWh/day
TEMPERATURE CONTROL	-6 to 12°C
STORAGE CAPACITY	149L
WEIGHT	Net: 59kg (Gross: Approx. 71kg)
OUTSIDE DIMENSIONS	900mm(W)× 600mm(D)×850(-880)mm(H)
PACKAGE	Carton: 965mm(W)×680mm(D)×845mm(H)
NUMBER OF SHELVES	2pcs
REFRIGERANT	R290
OPERATING CONDITIONS	Ambient Temperature: 5 - 38°C, Voltage Range: Rated Voltage ±6%



HOSHIZAKI

HOSHIZAKI SINGAPORE PTE. LTD.

18 Boon Lay Way #01-102 Tradehub21, 609966

TEL 6225 2612 FAX 6225 3219

www.hoshizaki.com.sg

