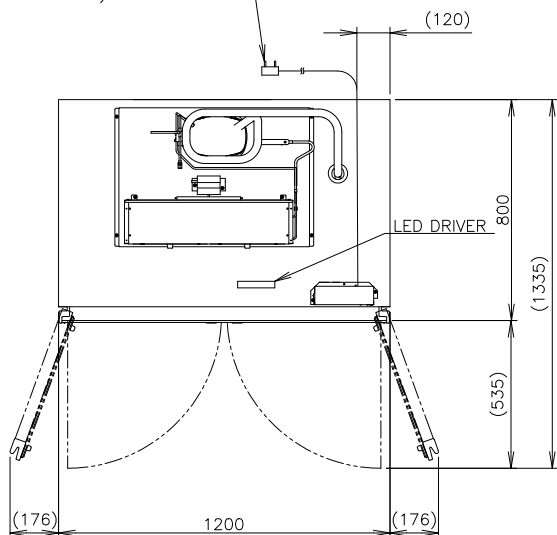
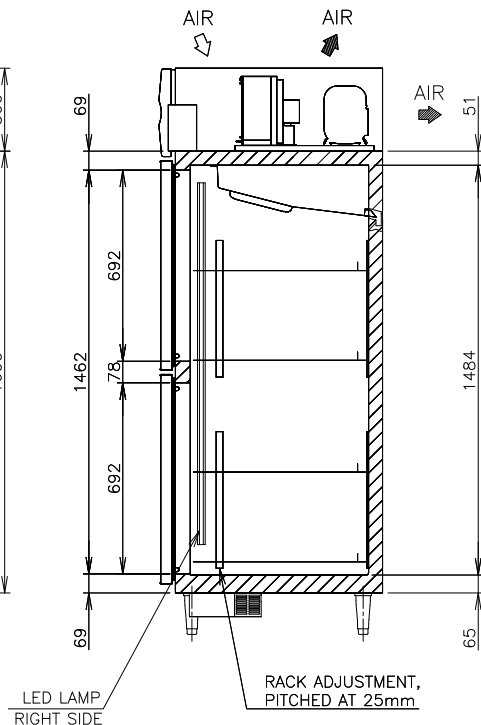
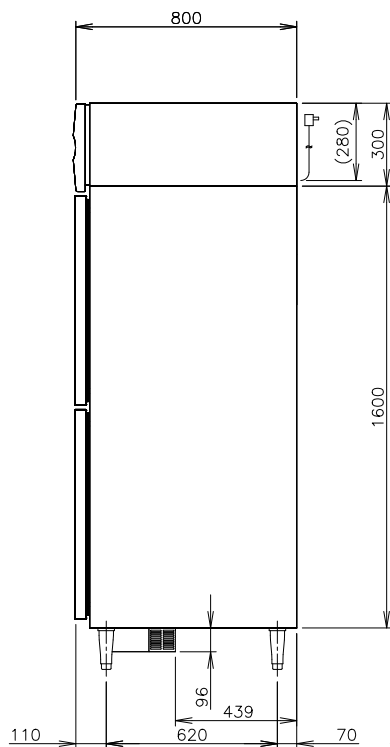
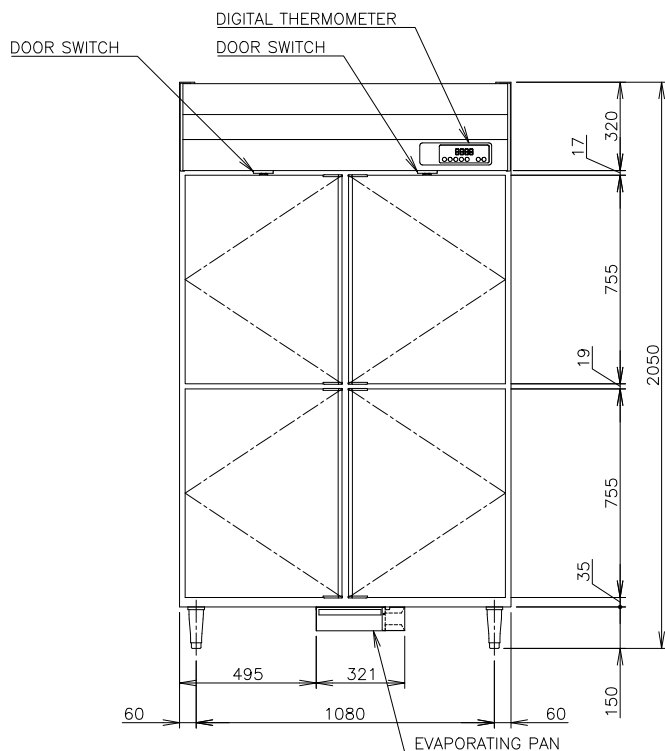
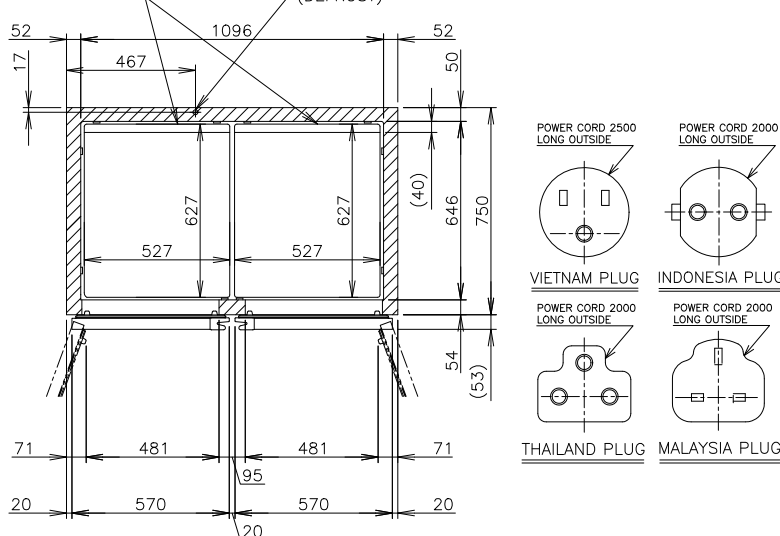


POWER CORD 2500/2000 LONG OUTSIDE
(PLUG WITH EARTH WIRE)



COATING SHELF(527x627) DRAIN OUTLET 18 OD (DEFROST)



ITEM	Hoshizaki Reach-in Freezer
MODEL	HF-128MC-S
POWER SUPPLY	1 Phase 220V~240V 50Hz Capacity: 1.19kVA (5.40A)
AMPERAGE	Rated: 5.6A
ELECTRIC CONSUMPTION	MOTOR 532W(POWER FACTOR 72%) Heater 474W Refrigeration 678W Defrost 250W
HEAT REJECTION	1501W
POWER CORD	Plug with Earth Wire
EFFECTIVE CAPACITY	104.3L
OUTSIDE DIMENSIONS	1200mm(W) x 800mm(D) x 2050(-2080)mm(H)
INSIDE DIMENSIONS	1096mm(W) x 646mm(D) x 1484mm(H)
EXTERIOR	Stainless Steel, Galvanized Steel(Top, Rear, Bottom)
INTERIOR	Stainless Steel, ABS Plastic(Door)
INSULATION	Polyurethane Foam
INSULATION FOAM BLOWING AGENT	Cyclopentane
REFRIGERATION SYSTEM	Forced Air Circulation
DEFROST SYSTEM	Heater
COMPRESSOR	Hermetic
CONDENSER	Wire and Tube type, Air-cooled
EVAPORATOR	Fin and Tube type
REFRIGERANT	R290
TEMPERATURE CONTROL	Microprocessor (Digital Temp. Indication) Adjustable from -25 to -7°C
DEFROST CONTROL	Microprocessor
ELECTRIC CIRCUIT PROTECTION	Earth Wire, Circuit Breaker
REFRIGERANT CIRCUIT PROTECTION	Motor Protector (Auto-reset)
LEG	Plastic Adjustable from 150 to 180mm
SHELF	8 pcs.
WEIGHT	141kg (Gross 170kg)
PACKAGE	Carton (Wooden Pallet) 1260mm(W) x 900mm(D) x 2075mm(H)
ACCESSORIES	Drain Hose x 1, Drain Pan x 1
OPERATING CONDITIONS	Ambient Temperature: 5 - 38°C Voltage Range: Rated Voltage ±6%

*We reserve the right to make changes in specifications and design without prior notice.

1. Install the product properly in accordance with the instructions on location, water supply/drain connections and electrical connections stated in the instruction and installation manuals provided.
Allow 10mm extra space at the installation site to meet any installation requirements (additional spacing is also required for proper air flow and pipe connections).
2. The heat rejection is based on the reached pulldown temperature at ambient temperature of 35°C
3. Product Code: S179-V100 HVN
S179-V200 HID
S179-V300 HTH
S179-V400 HMY

HOSHIZAKI REACH-IN FREEZER HF-128MC-S

APPROVED LIANG	CHECKED LIANG	DESIGNED LXF	DRAWN LXF	SCALE 1/20	TRIGONOMETRY
LY	LY	DATE 2025.1.12	DATE 2025.06.05	DRAWING NO. D42543	SYMBOL △
APPROVED	DESIGNED	DATE	DATE		