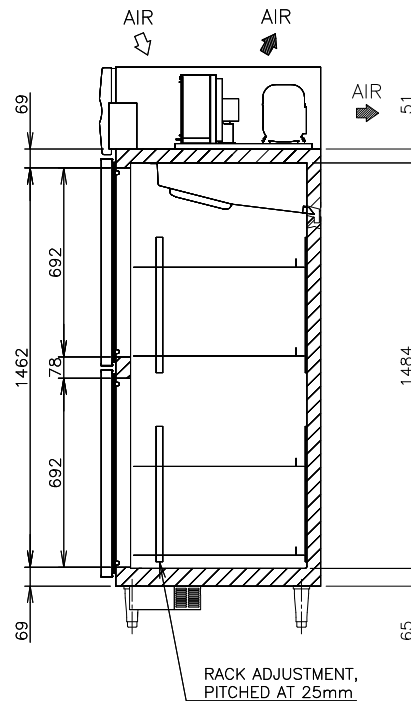
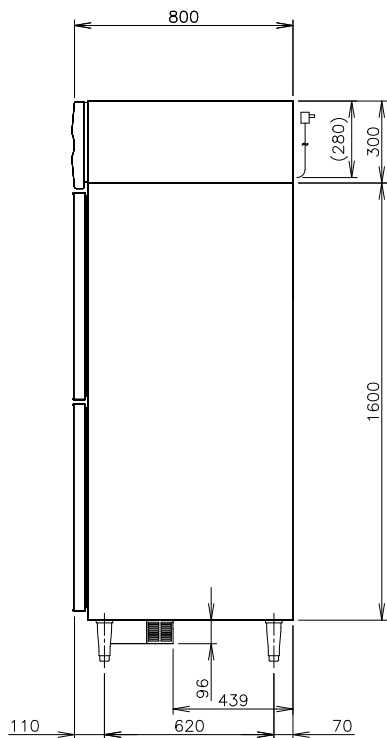
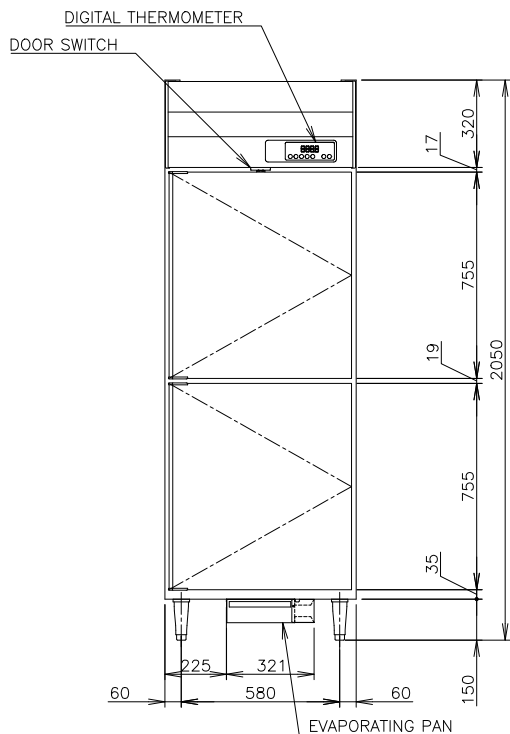


△

ITEM	Hoshizaki Reach-in Freezer
MODEL	HF-78MC-P
POWER SUPPLY	1 Phase 230V~ 60Hz Capacity: 1.08kVA (4.70A)
AMPERAGE	Rated: 3.3A
ELECTRIC CONSUMPTION	MOTOR 244W(POWER FACTOR 58%) Heater 376W Refrigeration 420W Defrost 200W
HEAT REJECTION	854W
POWER CORD	Plug with Earth Wire
EFFECTIVE CAPACITY	567L
OUTSIDE DIMENSIONS	700mm(W) x 800mm(D) x 2050(-2080)mm(H)
INSIDE DIMENSIONS	596mm(W)x646mm(D)x1484mm(H)
EXTERIOR	Stainless Steel, Galvanized Steel(Top, Rear, Bottom)
INTERIOR	Stainless Steel, ABS Plastic(Door)
INSULATION	Polyurethane Foam
INSULATION FOAM BLOWING AGENT	Cyclopentane
REFRIGERATION SYSTEM	Forced Air Circulation
DEFROST SYSTEM	Heater
COMPRESSOR	Hermetic
CONDENSER	Wire and Tube type, Air-cooled
EVAPORATOR	Fin and Tube type
REFRIGERANT	R290
TEMPERATURE CONTROL	Microprocessor (Digital Temp. Indication) Adjustable from -25 to -7℃
DEFROST CONTROL	Microprocessor
ELECTRIC CIRCUIT PROTECTION	Earth Wire, Circuit Breaker
REFRIGERANT CIRCUIT PROTECTION	Motor Protector (Auto-reset)
LEG	Plastic Adjustable from 150 to 180mm
SHELF	4 pcs.
WEIGHT	109kg (Gross 131kg)
PACKAGE	Carton (Wooden Pallet) 760mm(W)x900mm(D)x2075mm(H)
ACCESSORIES	Drain Hose x 1, Water Tank x 1, Tank Bracket x 1
OPERATING CONDITIONS	Ambient Temperature: 5 - 43℃ Voltage Range: Rated Voltage ±6%



\*We reserve the right to make changes in specifications and design without prior notice.

1. Install the product properly in accordance with the instructions on location, water supply/drain connections and electrical connections stated in the instruction and installation manuals provided.  
 Allow 10mm extra space at the installation site to meet any installation requirements (additional spacing is also required for proper air flow and pipe connections).
2. The heat rejection is based on the reached pulldown temperature at ambient temperature of 35℃
3. Product Code: S178-C300

# HOSHIZAKI REACH-IN FREEZER HF-78MC-P

APPROVED LIANGK	CHECKED LIUJH	DESIGNED LXF	DRAWN LXF	SCALE 1/20	TRIGONOMETRY
LIANG	LY	2025.11.28	DATE	2025.10.20	DRAWING NO. D43274
APPROVED	DESIGNED	SYMBOL	DATE		SYMBOL