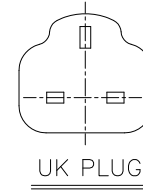
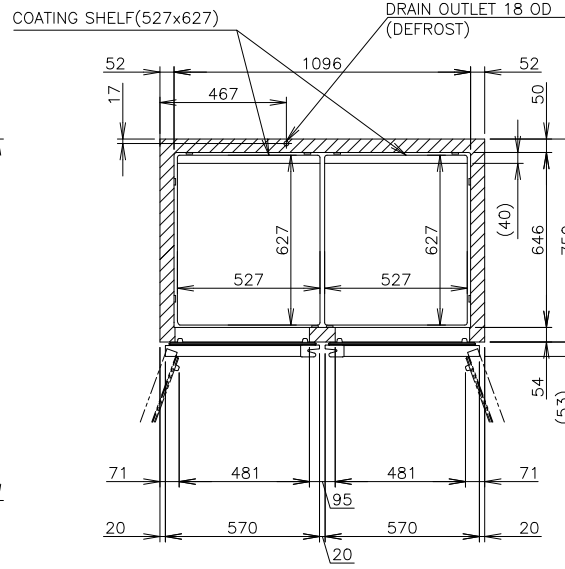
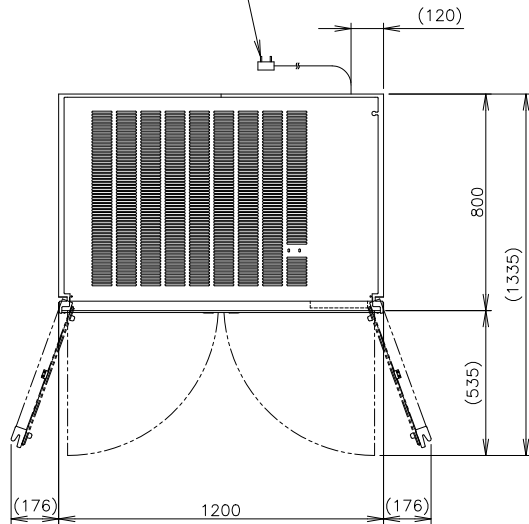
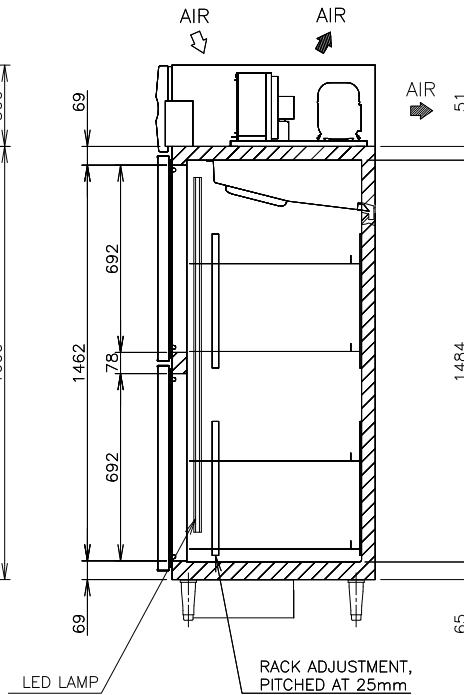
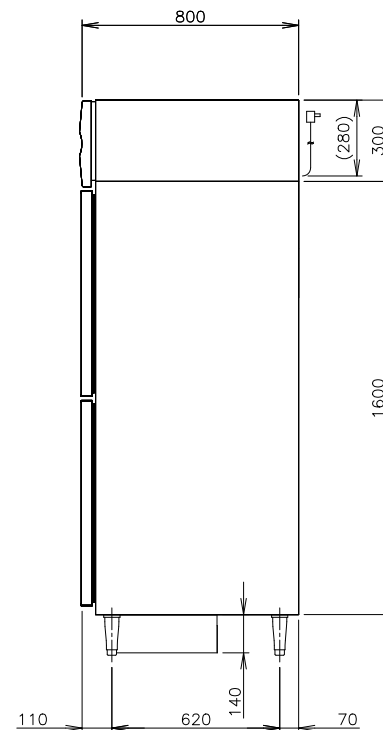
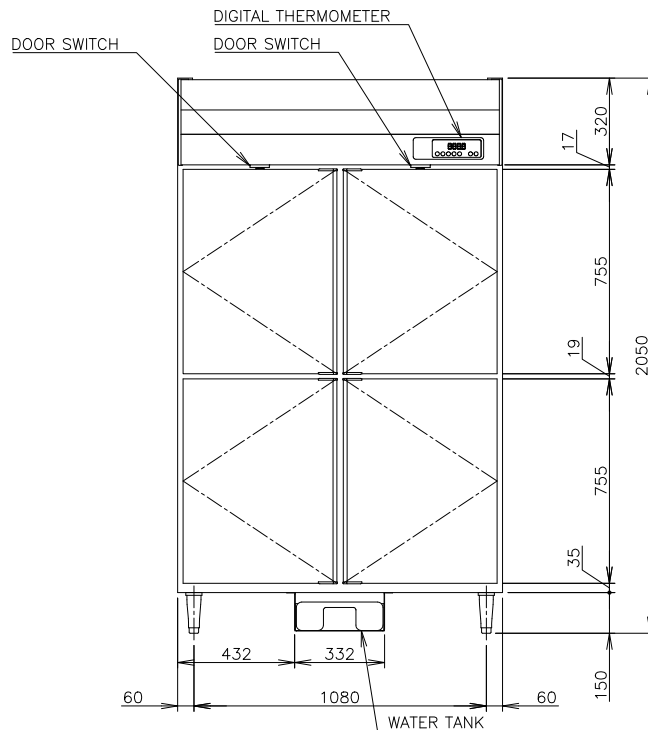


POWER CORD 2000 LONG OUTSIDE
(PLUG WITH UK EARTH WIRE)



ITEM	Hoshizaki Reach-in Refrigerator
MODEL	HR-128MC-S
POWER SUPPLY	1 Phase 220V ~ 240V 50Hz Capacity: 0.63kVA (2.90A)
AMPERAGE	Rated: 2.0A
ELECTRIC CONSUMPTION	MOTOR 283W(POWER FACTOR 85%) Heater 305W Refrigeration 319W Defrost 250W
HEAT REJECTION	*W
POWER CORD	2.0m (UK Plug with Earth Wire)
EFFECTIVE CAPACITY	Net:778.9L/Gross:1043L (Based on ISO 22041-2019)
ENERGY CONSUMPTION	4.34kWh/day (Based on ISO 22041-2019)
OUTSIDE DIMENSIONS	1200mm(W) x 800mm(D) x 2050(-2080)mm(H)
INSIDE DIMENSIONS	1096mm(W) x 646mm(D) x 1484mm(H)
EXTERIOR	Stainless Steel, Galvanized Steel(Top, Rear, Bottom)
INTERIOR	Stainless Steel, ABS Plastic(Door)
INSULATION	Polyurethane Foam
INSULATION FOAM BLOWING AGENT	Cyclopentane
REFRIGERATION SYSTEM	Forced Air Circulation
DEFROST SYSTEM	Heater
COMPRESSOR	Hermetic
CONDENSER	Wire and Tube type, Air-cooled
EVAPORATOR	Fin and Tube type
REFRIGERANT	R290
TEMPERATURE CONTROL	Microprocessor (Digital Temp. Indication) Adjustable from -6 to 12°C
DEFROST CONTROL	Microprocessor
ELECTRIC CIRCUIT PROTECTION	Earth Wire, Circuit Breaker
REFRIGERANT CIRCUIT PROTECTION	Motor Protector (Auto-reset)
LEG	Plastic Adjustable from 150 to 180mm
SHELF	8 pcs.
WEIGHT	132kg (Gross 161kg)
PACKAGE	Carton (Wooden Pallet) 1260mm(W) x 900mm(D) x 2075mm(H)
ACCESSORIES	Drain Hose x 1, Water Tank x 1, Tank Bracket x 1
OPERATING CONDITIONS	Ambient Temperature: 5 - 38°C Voltage Range: Rated Voltage ±6%



*We reserve the right to make changes in specifications and design without prior notice.

1. Install the product properly in accordance with the instructions on location, water supply/drain connections and electrical connections stated in the instruction and installation manuals provided.
Allow 10mm extra space at the installation site to meet any installation requirements (additional spacing is also required for proper air flow and pipe connections).
2. The heat rejection is based on the reached pulldown temperature at ambient temperature of 35°C
3. Product Code: S175-V000

HOSHIZAKI REACH-IN REFRIGERATOR HR-128MC-S

APPROVED LIANG	CHECKED LIANG	DESIGNED LIU	DRAWN LIU	SCALE 1/20	TRIGONOMETRY
LIANGK	LY	DATE 2025.1.12	DATE 2025.03.21	DRAWING NO. D40727	SYMBOL ⚠
APPROVED	DESIGNED	SYMBOL			