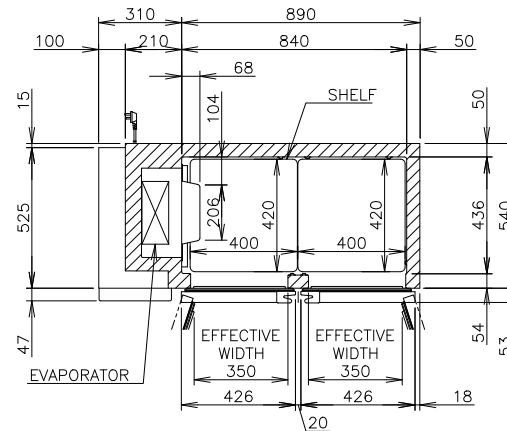
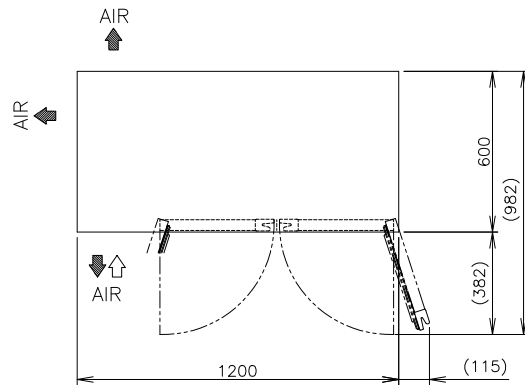
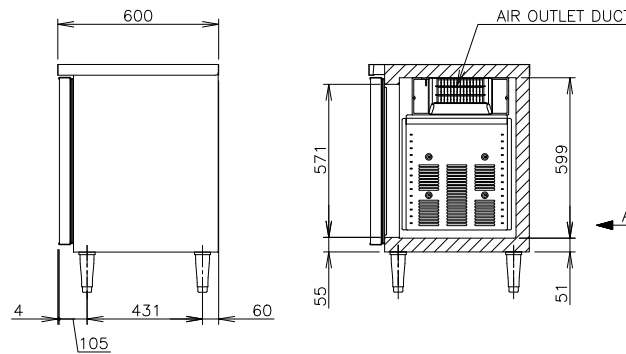
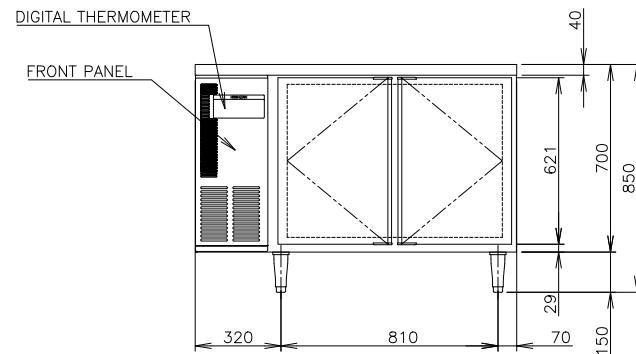


VIEW A



|                               |   |
|-------------------------------|---|
| ITEM                          | Hoshizaki Undercounter Refrigerator   |
| MODEL                         | RT-126MC-P  |
| POWER SUPPLY                  | 1 Phase 230V~ 60Hz Capacity: 0.71kVA (3.10A)  |
| AMPERAGE                      | Rated 1.6A  |
| ELECTRIC CONSUMPTION          | Motor 178W(Power Factor 69%) Heater 211W Refrigeration 199W Defrost 190W              |
| HEAT REJECTION                | 65.3W   |
| POWER CORD                    | 2.0m (Plug with Earth Wire)   |
| EFFECTIVE CAPACITY            | 234L  |
| OUTSIDE DIMENSIONS            | 1200mm (W) x 600mm (D) x 850 (- 880) mm (H)   |
| INSIDE DIMENSIONS             | 840mm (W) x 436mm (D) x 599mm (H)   |
| EXTERIOR                      | Stainless Steel, Galvanized Steel (Rear/Bottom)<br>ABS Plastic (Top & Bottom on Door) |
| INTERIOR                      | Stainless Steel, ABS Plastic (Door)   |
| INSULATION                    | Polyurethane Foam   |
| INSULATION FOAM BLOWING AGENT | Cyclopentane  |
| REFRIGERATION SYSTEM          | Forced Air Circulation  |
| DEFROST SYSTEM                | Glass Tube Heater   |
| COMPRESSOR                    | Hermetic  |
| CONDENSER                     | Wire and Tube type, Air-cooled  |
| EVAPORATOR                    | Fin and Tube Type   |
| REFRIGERANT                   | R290  |
| TEMPERATURE CONTROL           | Microprocessor (Digital Temp Indication) Adjustable from -6 to 12°C                   |
| DEFROST CONTROL               | Microprocessor controlled   |
| ELECTRIC CIRCUIT PROTECTION   | Fuse, Earth Wire  |
| COMPRESSOR PROTECTION         | Motor Protector   |
| LEG                           | Plastic Adjustable 150 - 180mm  |
| SHELF                         | 4pcs.   |
| WEIGHT                        | Net: 71kg (Gross: Approx.83kg)  |
| PACKAGE                       | Carton 1265mm (W) x 680mm (D) x 845mm (H)   |
| ACCESSORIES                   | -   |
| OPERATING CONDITIONS          | Ambient Temperature: 5-38°C<br>Voltage Range: Rated Voltage±6%                        |



\*We reserve the right to make changes in specifications and design without prior notice.

1. Install the product properly in accordance with the instructions on location, electrical connections stated in the instruction manual provided. Allow 10mm extra space at the installation site to meet any installation requirements (additional spacing is also required for proper air flow and pipe connections).
2. The heat rejection is based on the reached pulldown temperature at ambient temperature of 35°C and power supply of 230V 60Hz. The amperage and electric consumption are based on measurements at ambient temperature of 38°C and power supply of 230V 60Hz.
3. The cabinet temperature range of -6 to 12°C is guaranteed at ambient temperature of 30°C.
4. Product code: T431-C300

# HOSHIZAKI UNDERCOUNTER REFRIGERATOR RT-126MC-P

|                   |               |                  |                    |                    |                       |
|-------------------|---------------|------------------|--------------------|--------------------|-----------------------|
| APPROVED<br>LIANG | CHECKED<br>LY | DESIGNED<br>ZHOU | DRAWN<br>LXF       | SCALE<br>1/20      | TRIGONOMETRY          |
| APPROVED          | DESIGNED      | SYMBOL           | DATE<br>2025.11.21 | DATE<br>2025.10.23 | DRAWING NO.<br>D43872 |
|                   |               |                  |                    |                    | SYMBOL<br>1           |