



REACH-IN REFRIGERATOR

HR-146MC-S

PARTS LIST

[HS] [HVN] [HID] [HTH] [HMY]

S176-V070,S176-V170,S176-V270,S176-V370
S176-V470

R-0 Feb. 2026

S176-5923 (0226)

Product Code Spec

HR-146MC-S

S176-V070	For HS;
S176-V170	For HVN;
S176-V270	For HID;
S176-V370	For HTH;
S176-V470	For HMY;

AUXILIARY CODE

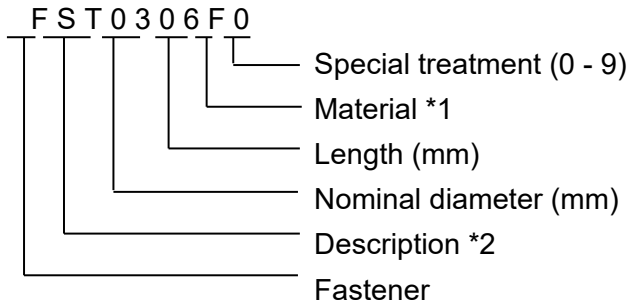
U - 1

The auxiliary code is the first two characters in the serial number. The first character indicates the production year. Years progress or regress in alphabetical order. The series of letters and skipped letters depend on UL listing, production, and model. See the auxiliary code(s) and corresponding year(s) on the front cover.

The second character indicates significant part changes within the same year. Base is "1" and this number advances for each change. If there is no significant part change at the turn of the year, this number starts from "0."

FASTENER PART NUMBER

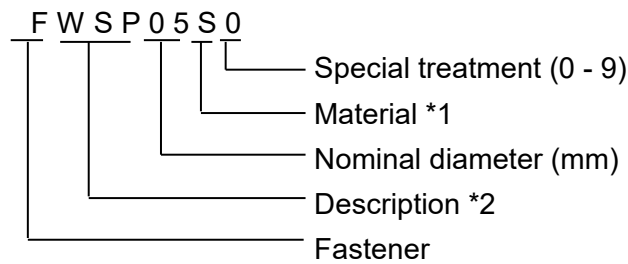
SCREWS



*1

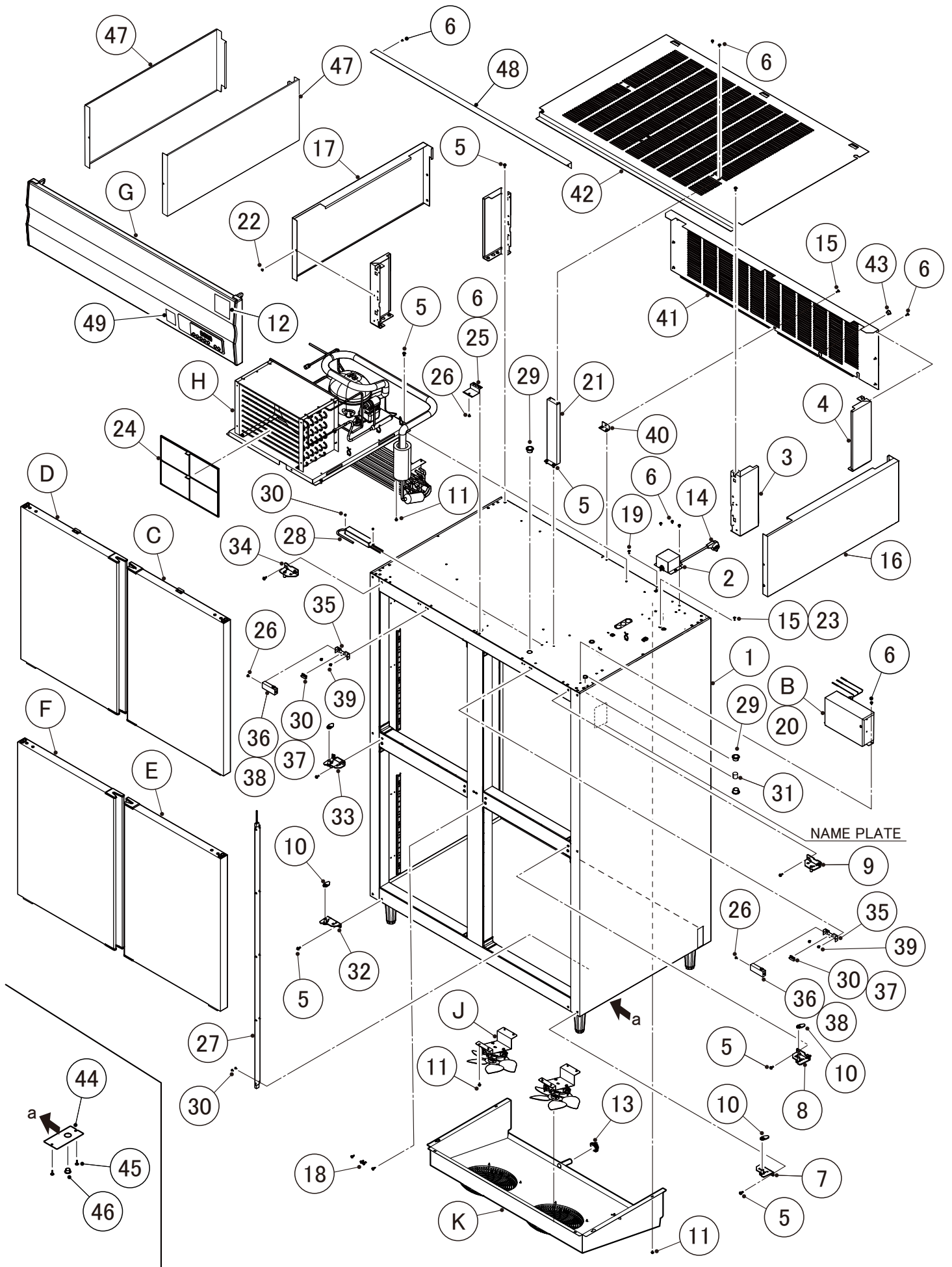
- F: Steel
- S: Austenitic stainless steel
- M: Martensitic stainless steel
- B: Copper alloy
- P: Polycarbonate
- N: Polyamide
- V: PVC
- A: ABS
- X: Polyacetal
- L: Aluminum

NUTS & WASHERS



*2

- First letter
- S: Machine screw
- T: Tapping screw
- M: Wood screw
- B: Bolt
- W: Washer
- N: Nut



MODEL: **HR-146MC-S**TITLE: **A. REFRIGERATOR ASSY**

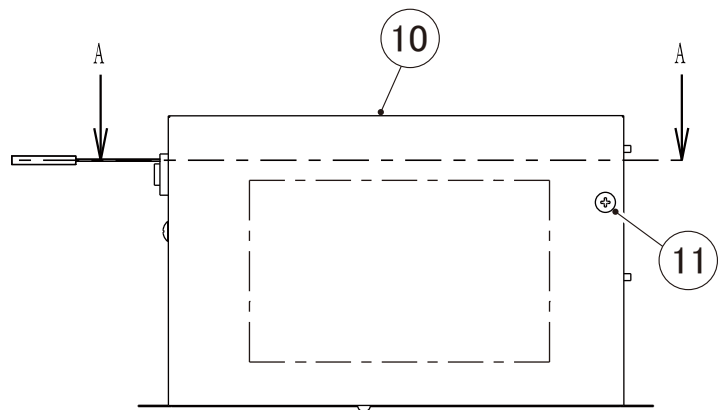
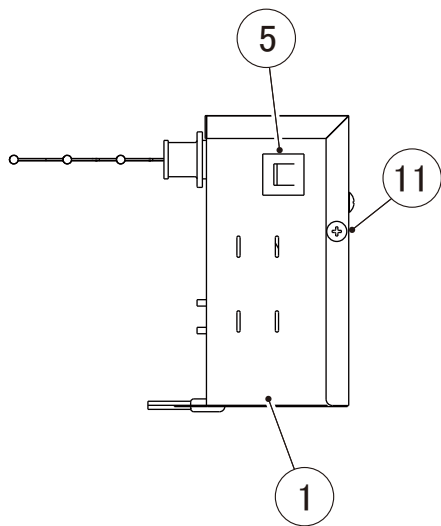
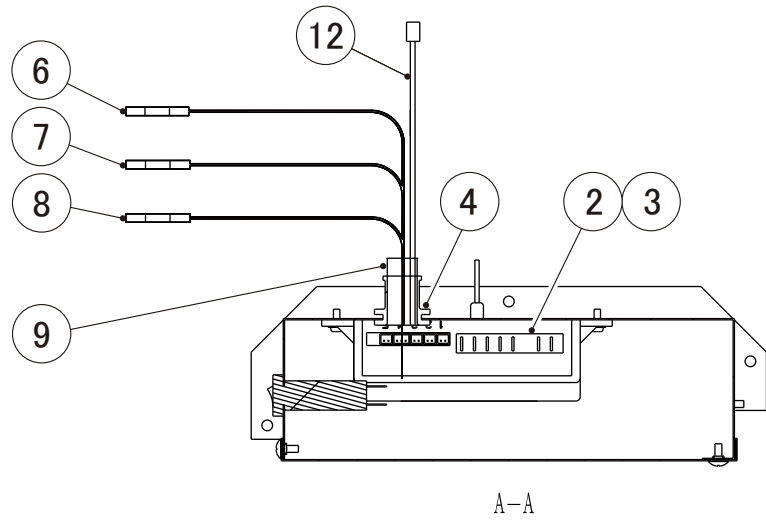
INDEX NO.	DESCRIPTION	MATERIAL OR MODEL NUMBER	PART NUMBER	REQ'D NUMBER			
				R-0 and later			
B	CONTROL BOX ASSY	(S-35524)	3C1023A01	1			
C	DOOR R,AY	(S-35835)	2C1768A01	1			
D	DOOR L,AY	(S-35834)	2C1767A01	1			
E	DOOR R,AY	(S-30223)	274435A01	1			
F	DOOR L,AY	(S-30222)	274434A01	1			
G	FRONT PANEL ASSY	(S-35528)	2C1198A07	1			
H	REFRIGERATION ASSY		1C1072A02	1			
J	FAN MOTOR AY		3C1181A01	2			
K	DUCT ASSY		1C1099A01	1			
L	LABEL LOCATION		-	1			
M	ACCESSORIES		-	1			
1	BODY	S176-V070	1C0313011	1			
			1C0313009	1			
2	CONNECTOR BOX G		3C0471G01	1			
3	GRIP(A)		260268M01	2			
4	GRIP(B)		260269M01	2			
5	FLANGE BOLT (S-TITE)	S176-V070	P02005-01	30			
				28			
6	FLANGE BOLT (S-TITE)	S176-V070	445994-05	16			
				8			
7	DOOR HINGE (R) , LO		375316G01	1			
8	DOOR HINGE (R) , CT		375317G01	1			
9	DOOR HINGE (R) , UP		375315G01	1			
10	HINGE COLLAR - HINGE		339948-01	4			
11	HEX HEAD BOLT SW		FBK0410S0	19			
12	LABEL - ENERGY	S176-V070	292088L36	1			
13	GASKET - DORAIN ELBOW		475688R01	1			

MODEL: **HR-146MC-S**TITLE: **A. REFRIGERATOR ASSY**

INDEX NO.	DESCRIPTION	MATERIAL OR MODEL NUMBER	PART NUMBER	REQ'D NUMBER			
				R-0 and later			
14	POWER CORD	S176-V070	P02795-01	1			
		S176-V170	C06074-01	1			
		S176-V270	P02794-01	1			
		S176-V370	P03994-01	1			
		S176-V470	P02795-01	1			
15	TRUSS HEAD SCREW		FST0412S0	2			
16	SIDE PANEL (R)	S176-V070	382770M05	1			
17	SIDE PANEL (L)	S176-V070	382771M05	1			
18	HOLE PLUG		463980-01	4			
19	TRUSS HEAD SCREW		FST0408F0	1			
20	WIRING LABEL		2C1771L01	1			
21	BRACKET - SHROUD	S176-V070	481806M01	1			
22	S-TITE TRUSS HEAD SCREW		FTS0406M0	2			
23	SPRING WASHER		FWSP04S0	1			
24	AIR FILTER		390730G01	1			
25	BRACKET - FRONT	S176-V070	4C0627M01	1			
26	TRUSS HEAD SCREW		FST0408S0	4			
27	LED LAMP		P05001-01	1			
28	SWITCHING REGULATOR		P05002-01	1			
29	BUSHING		428394-01	4			
30	PAN HEAD SCREW SW		FSK0308S0	18			
31	INSULATION		4R5835Z01	1			
32	DOOR HINGE (L) , LO		375319G01	1			
33	DOOR HINGE (L) , CT		375320G01	1			
34	DOOR HINGE (L) , UP		375318G01	1			
35	BRACKET - LEAD SWITCH		3C1273M01	2			
36	COVER - LEAD SWITCH		4C0667M01	2			
37	REED SWITCH		P02940-01	2			
38	BUSHING		428394-07	2			

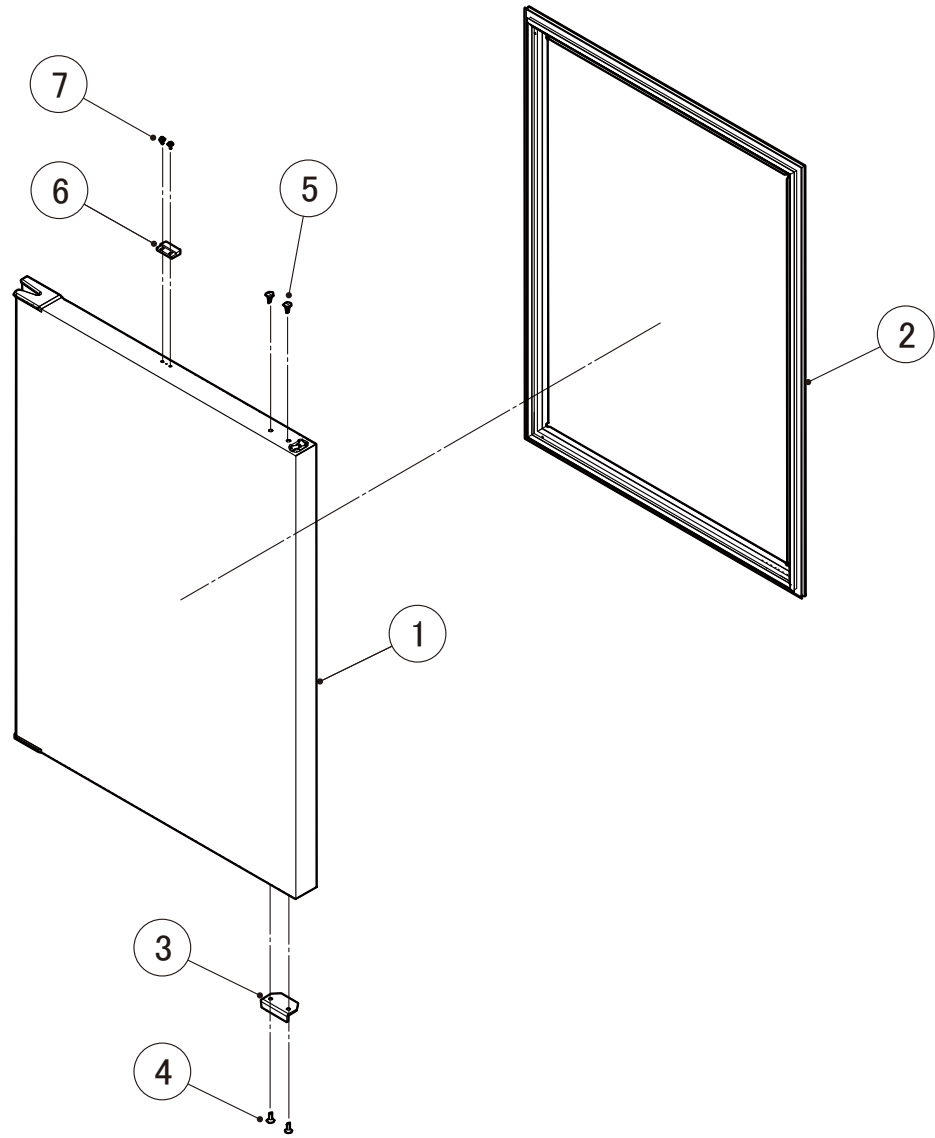
MODEL: **HR-146MC-S**TITLE: **A. REFRIGERATOR ASSY**

INDEX NO.	DESCRIPTION	MATERIAL OR MODEL NUMBER	PART NUMBER	REQ'D NUMBER			
				R-0 and later			
39	HEX HEAD BOLT SW		FBK0408S0	4			
40	BRACKET	S176-V070	484645M01	1			
41	REAR COVER	S176-V070	268973M01	1			
42	TOP COVER	S176-V070	2C0273M01	1			
43	BUSHING	S176-V070	428394-03	1			
44	COVER	S176-V170 S176-V270 S176-V370 S176-V470	386702M01	1			
45	T2 TRUSS HEAD SCREW	S176-V170 S176-V270 S176-V370 S176-V470	FT20408M0	2			
46	GROMMET	S176-V170 S176-V270 S176-V370 S176-V470	410666-05	1			
47	SIDE PANEL	S176-V170 S176-V270 S176-V370 S176-V470	375190M03	2			
48	CHANNEL - 140	S176-V170 S176-V270 S176-V370 S176-V470	375098M03	1			
49	ラベル/CFC AND HCFC FREE	S176-V270	482091L01	1			



MODEL: **HR-146MC-S**TITLE: **B. CONTROL BOX ASSY(S-35524)**

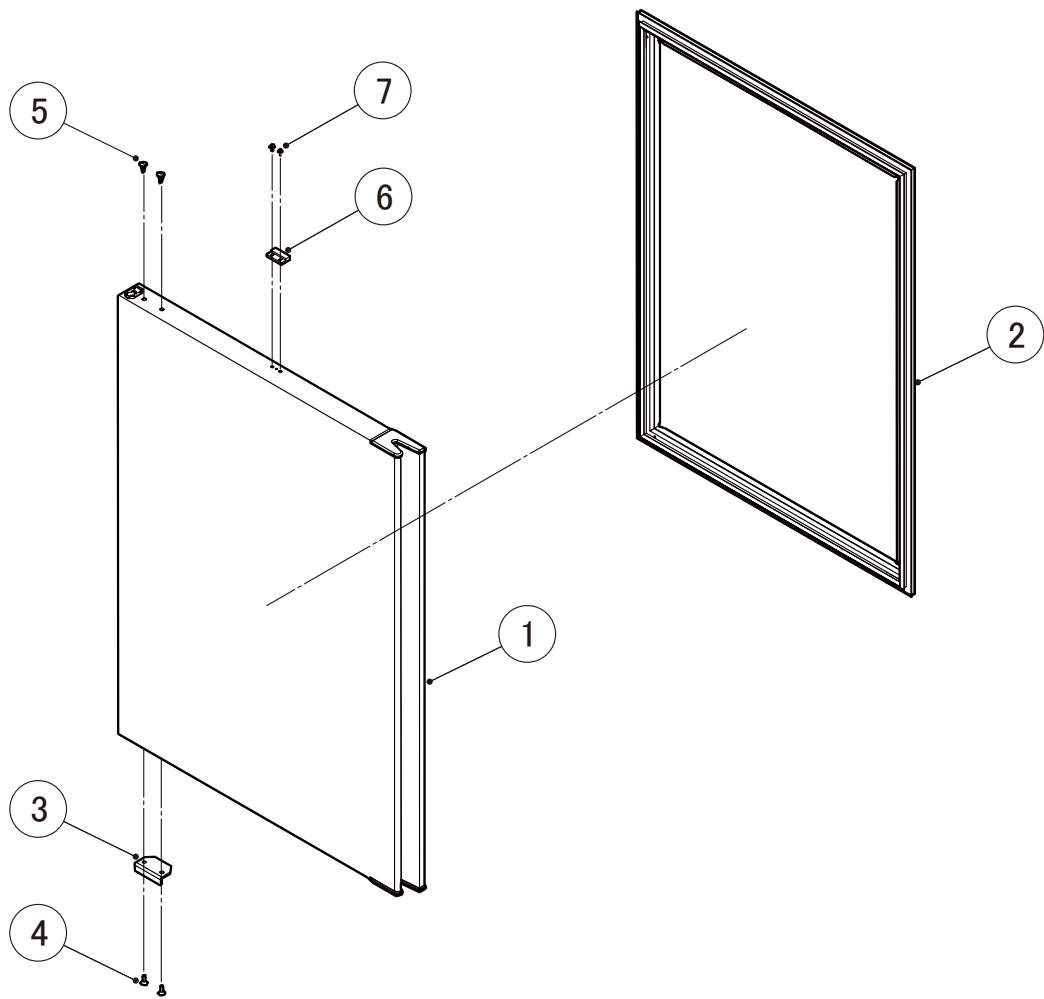
INDEX NO.	DESCRIPTION	MATERIAL OR MODEL NUMBER	PART NUMBER	REQ'D NUMBER			
				R-0 and later			
1	CONTROL BOX		3C1021M01	1			
2	CONTROLLER		C06540-01	1			
3	T2(S) FLANGED PAN HEAD SCREW		431415-01	2			
4	GROMMET		4H2568-02	1			
5	PROTECTOR		440972-01	1			
6	TERMISTOR	線色; 白	C06414-01	1			
7	TERMISTOR	線色; 黒	C06414-02	1			
8	TERMISTOR	線色; 灰	C06414-03	1			
9	VINYL TUBE - UL		4C0050Z01	1			
10	COVER - CONTROL BOX		3C1022M01	1			
11	TRUSS HEAD SCREW		FST0408S0	2			
12	HARNESS - CONTROLLER		C06580-01	1			



MODEL: **HR-146MC-S**

TITLE: **C. DOOR R,AY(S-35835)**

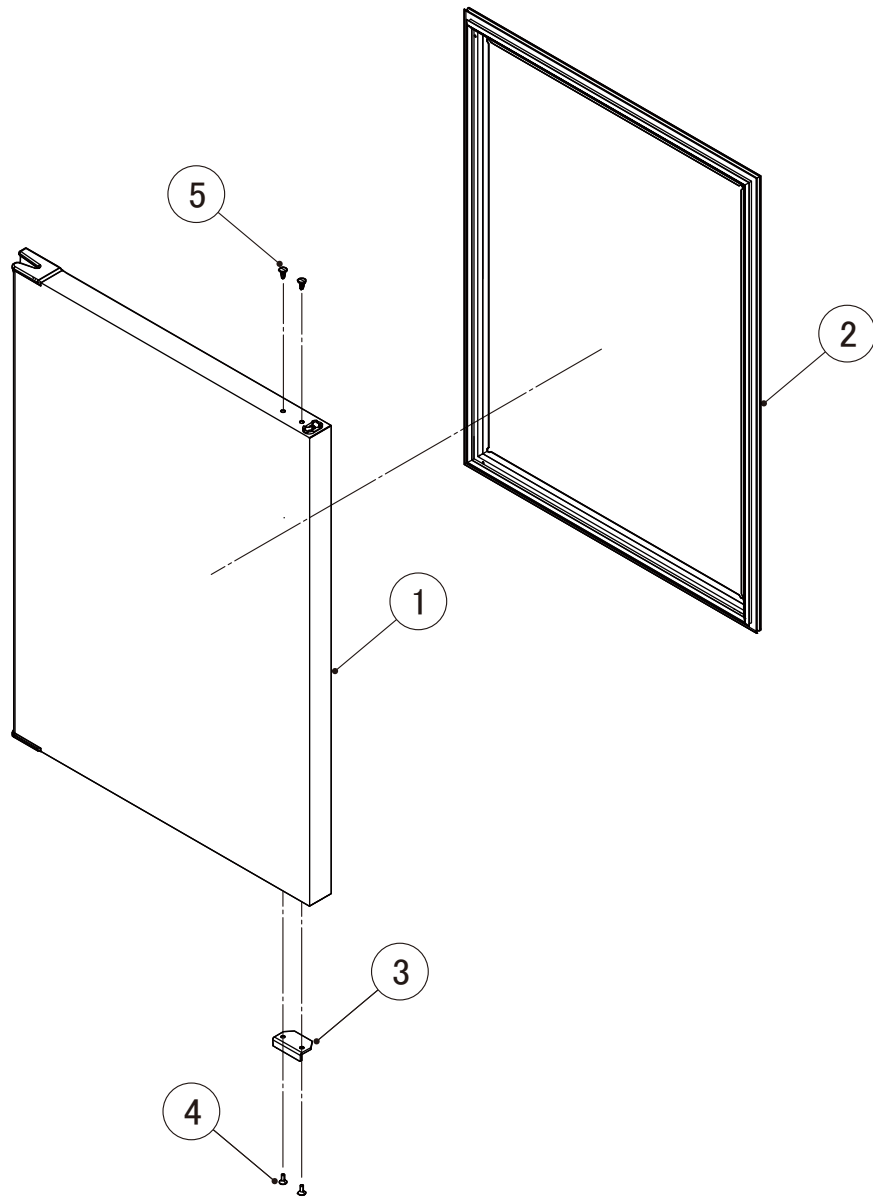
INDEX NO.	DESCRIPTION	MATERIAL OR MODEL NUMBER	PART NUMBER	REQ'D NUMBER			
				R-0 and later			
1	DOOR - INSULATION		274178G04	1			
2	DOOR GASKET - HD		260225G01	1			
3	DOOR STOPPER		454210-01	1			
4	FLAT HEAD TAPPING SCREW (S-TITE)		FTF0512M0	2			
5	HOLE PLUG		463980-01	2			
6	MAGNET		436974-01	1			
7	PAN HEAD SCREW SW		FSK0308S0	2			



MODEL: **HR-146MC-S**

TITLE: **D. DOOR L,AY(S-35834)**

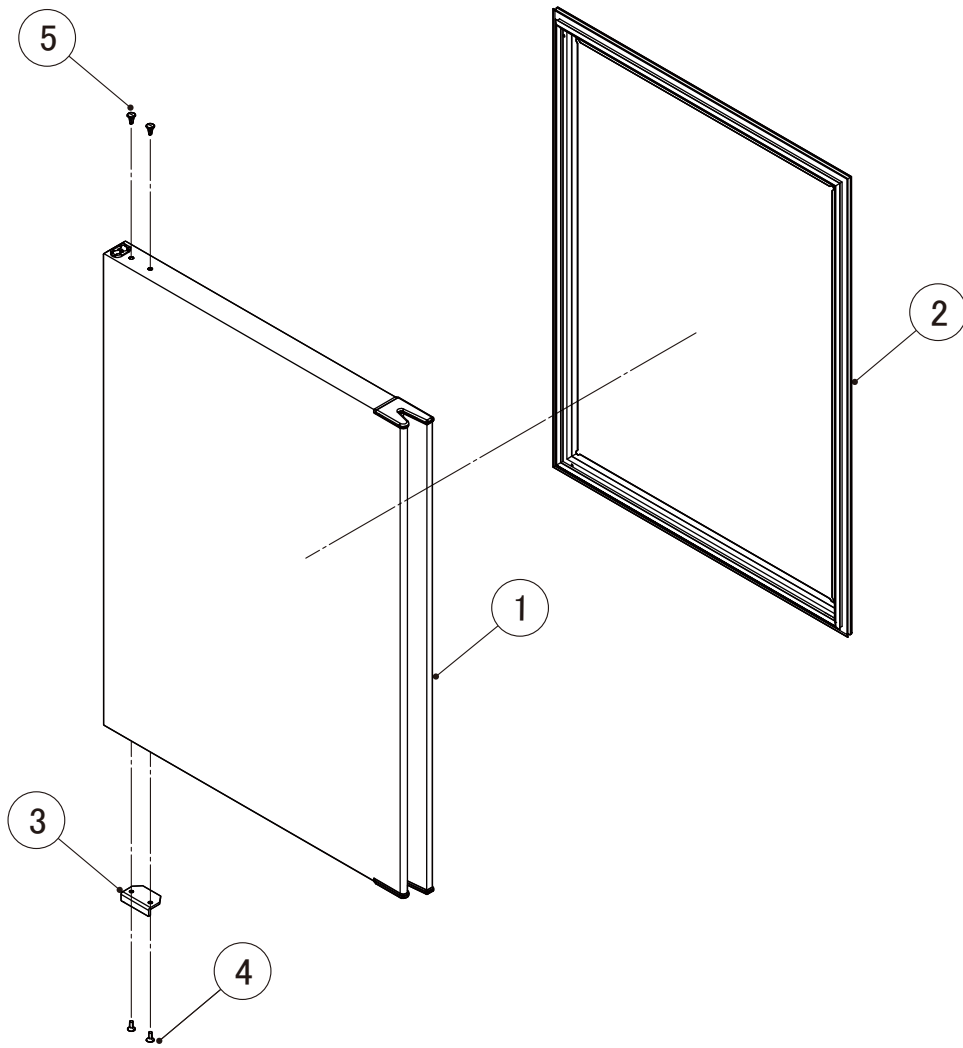
INDEX NO.	DESCRIPTION	MATERIAL OR MODEL NUMBER	PART NUMBER	REQ'D NUMBER			
				R-0 and later			
1	DOOR - INSULATION		274178G06	1			
2	DOOR GASKET - HD		260225G01	1			
3	DOOR STOPPER		454210-01	1			
4	FLAT HEAD TAPPING SCREW (S-TITE)		FTF0512M0	2			
5	HOLE PLUG		463980-01	2			
6	MAGNET		436974-01	1			
7	PAN HEAD SCREW SW		FSK0308S0	2			



MODEL: **HR-146MC-S**

TITLE: **E. DOOR R,AY(S-30223)**

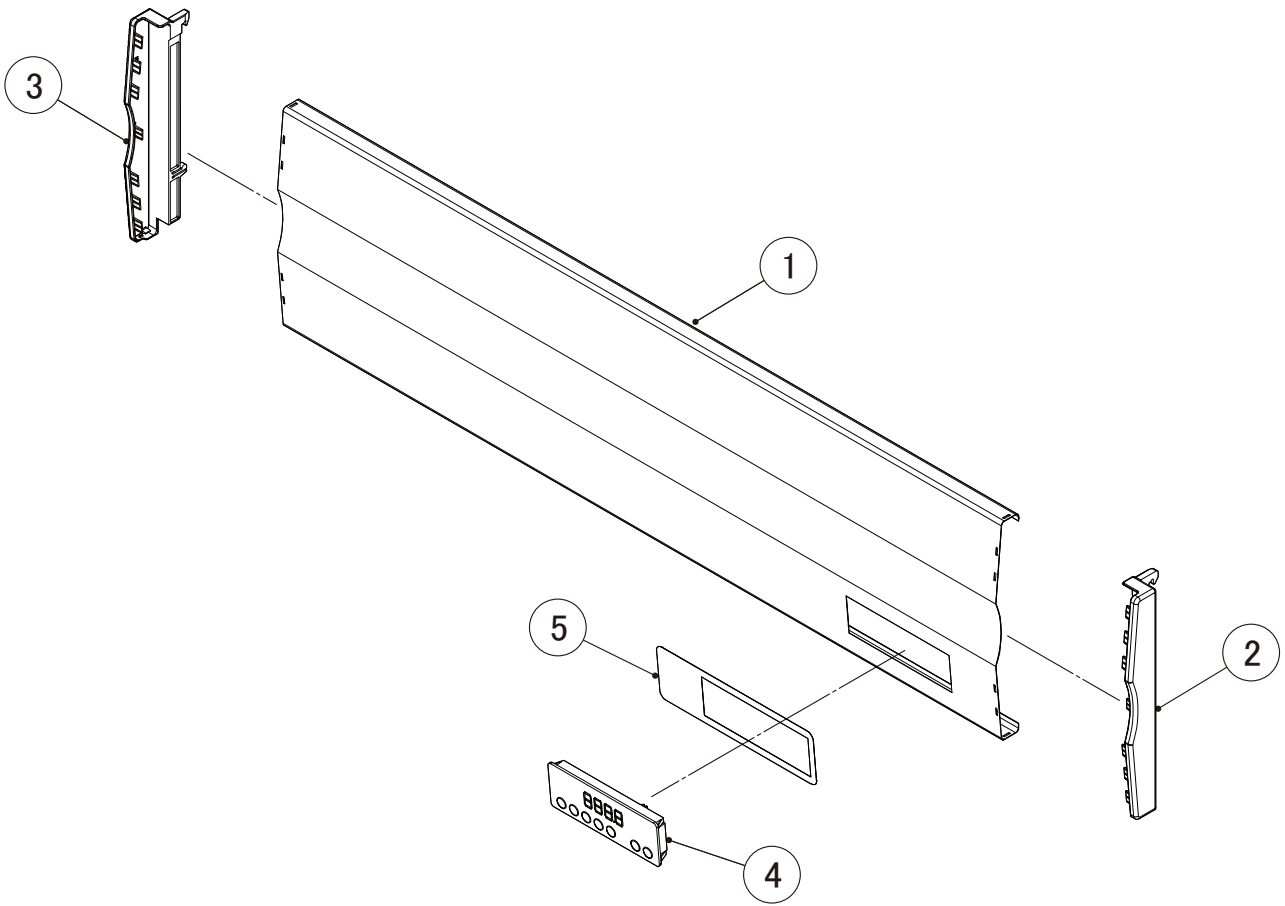
INDEX NO.	DESCRIPTION	MATERIAL OR MODEL NUMBER	PART NUMBER	REQ'D NUMBER			
				R-0 and later			
1	DOOR - INSULATION		274178G01	1			
2	DOOR GASKET - HD		260225G01	1			
3	DOOR STOPPER		454210-01	1			
4	FLAT HEAD TAPPING SCREW (S-TITE)		FTF0512M0	2			
5	HOLE PLUG		463980-01	2			



MODEL: **HR-146MC-S**

TITLE: **F. DOOR L,AY(S-30222)**

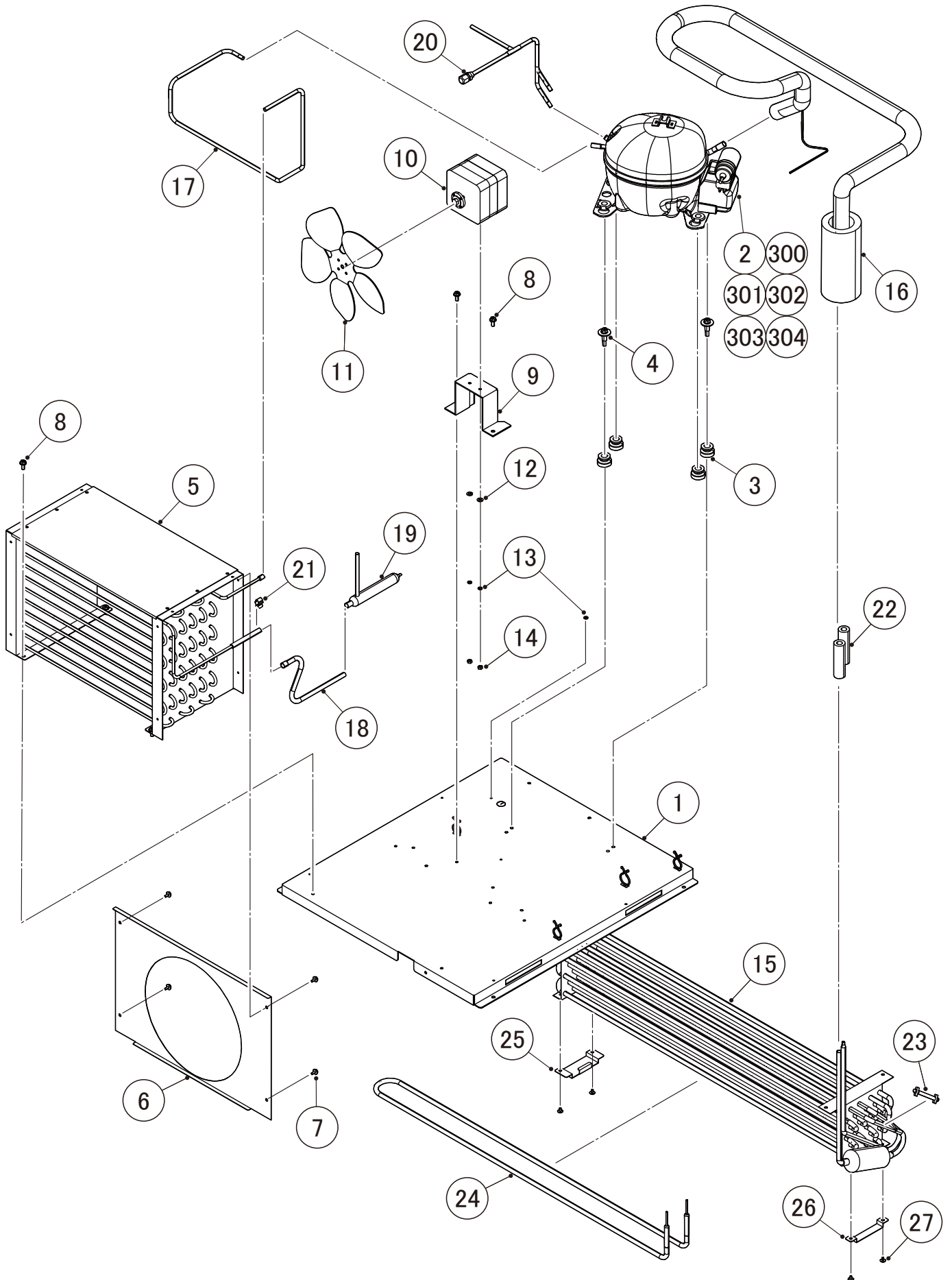
INDEX NO.	DESCRIPTION	MATERIAL OR MODEL NUMBER	PART NUMBER	REQ'D NUMBER			
				R-0 and later			
1	DOOR - INSULATION		274178G01	1			
2	DOOR GASKET - HD		260225G01	1			
3	DOOR STOPPER		454210-01	1			
4	FLAT HEAD TAPPING SCREW (S-TITE)		FTF0512M0	2			
5	HOLE PLUG		463980-01	2			



MODEL: **HR-146MC-S**

TITLE: **G. FRONT PANEL ASSY**

INDEX NO.	DESCRIPTION	MATERIAL OR MODEL NUMBER	PART NUMBER	REQ'D NUMBER			
				R-0 and later			
1	FRONT PANEL - 140		2C1197M03	1			
2	CORNER - FRONT PANEL(R)		260090P01	1			
3	CORNER - FRONT PANEL(L)		260091P01	1			
4	CONTROLLER DISPLAY		C06539-01	1			
5	CHARACTER LABEL		3C1463L01	1			



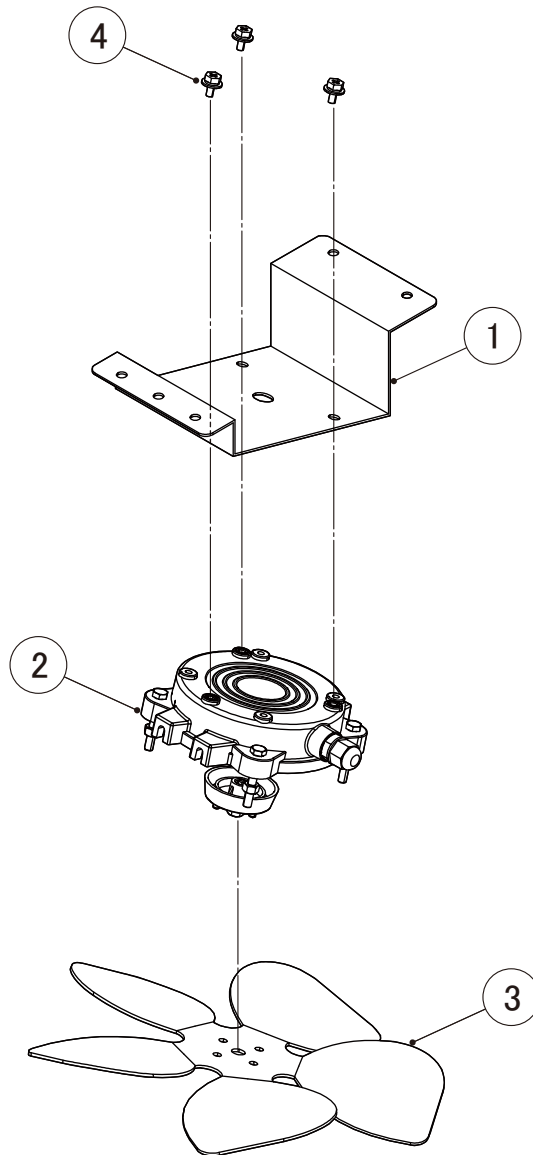
MODEL: **HR-146MC-S**TITLE: **H. REFRIGERATION ASSY**

INDEX NO.	DESCRIPTION	MATERIAL OR MODEL NUMBER	PART NUMBER	REQ'D NUMBER			
				R-0 and later			
1	BASE		277898M02	1			
2	COMPRESSOR		P06647-01	1			
3	GROMMET		450897-01	4			
4	BOLT		C05825-01	2			
5	WIRE CONDENSER		P05098-01	1			
6	COVER - CONDENSER		389475M02	1			
7	TAPPING SCREW - HEX		456789-01	4			
8	FLANGE BOLT (S-TITE)		P02005-01	6			
9	BRACKET - FAN MOTOR		471206M01	1			
10	FAN MOTOR		P00156-01	1			
11	FAN BLADE		P00185-01	1			
12	FLAT WASHER		FWPL04S0	2			
13	SPRING WASHER		FWSP04S0	3			
14	NUT		FNH104S0	2			
15	EVAPORATOR		C06293-01	1			
16	HEAT EXCHANGER		2C1199G01	1			
17	COPPER TUBE A - H		3C1024M01	1			
18	COPPER TUBE(B) - (H)		4C0402M01	1			
19	DRIER		C06620-02	1			
20	COPPER TUBE L		3C1114G01	1			
21	CLIP-THERMISTOR		4R2938-01	1			
22	INSULATION TUBE(ARMA FLEX)		H91022070	2			
23	FUSE		P01103-01	1			
24	DEFROST HEATER		C06091-02	1			
25	SUPPORT - HEATER		390307M01	1			
26	SUPPORT - HEATER		390326M01	1			
27	TRUSS HEAD TAPPING SCREW T2		FT20406M0	4			
300	RELAY COVER		P07088-01	1			
301	CABLE FASTENER		P07183-01	1			

MODEL: **HR-146MC-S**

TITLE: **H. REFRIGERATION ASSY**

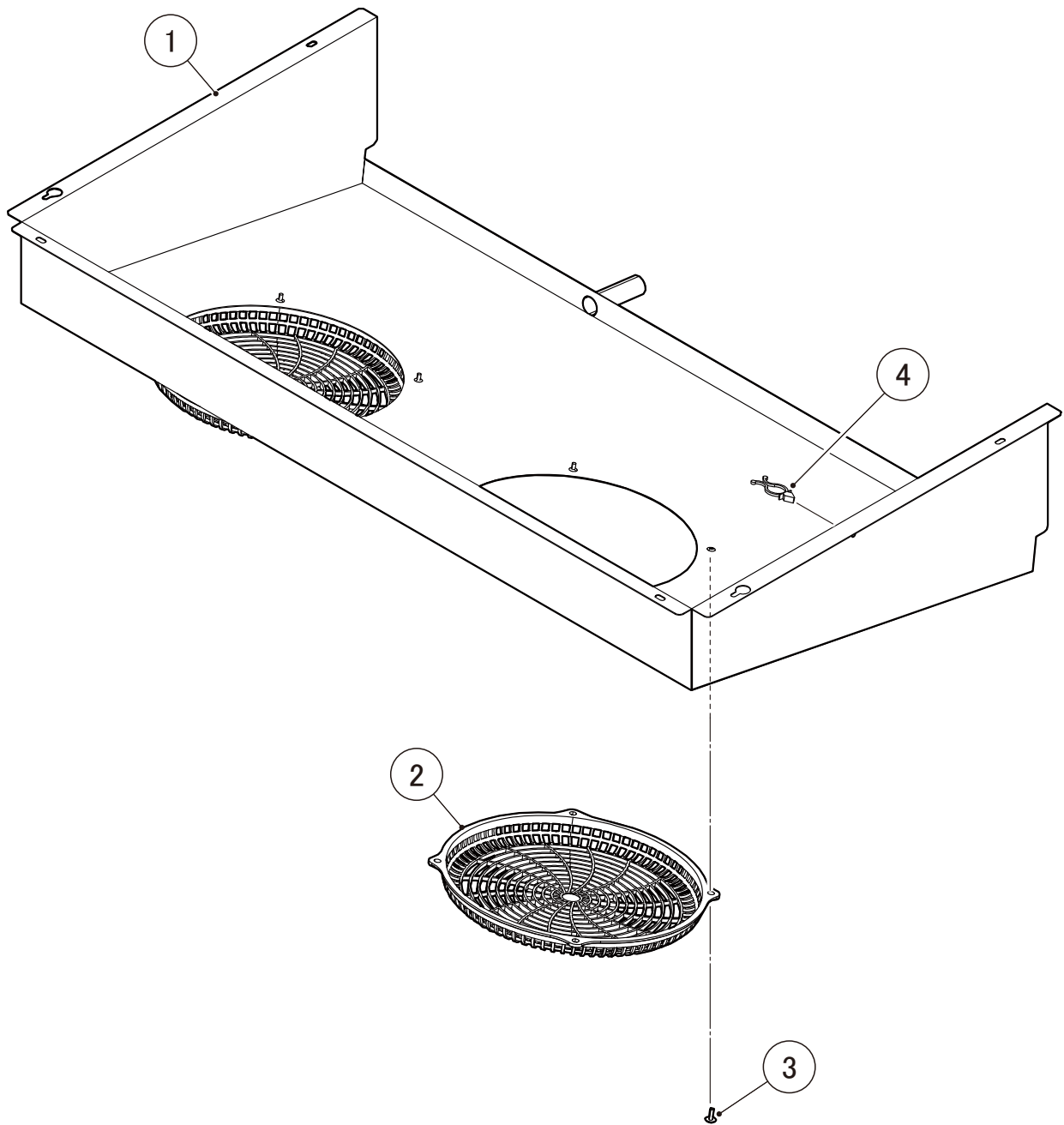
INDEX NO.	DESCRIPTION	MATERIAL OR MODEL NUMBER	PART NUMBER	REQ'D NUMBER			
				R-0 and later			
302	SCREW		P07184-01	1			
303	OVERLOAD PROTECTOR		P07350-01	1			
304	PTC RELAY		P07348-01	1			



MODEL: **HR-146MC-S**

TITLE: **J. FAN MOTOR AY**

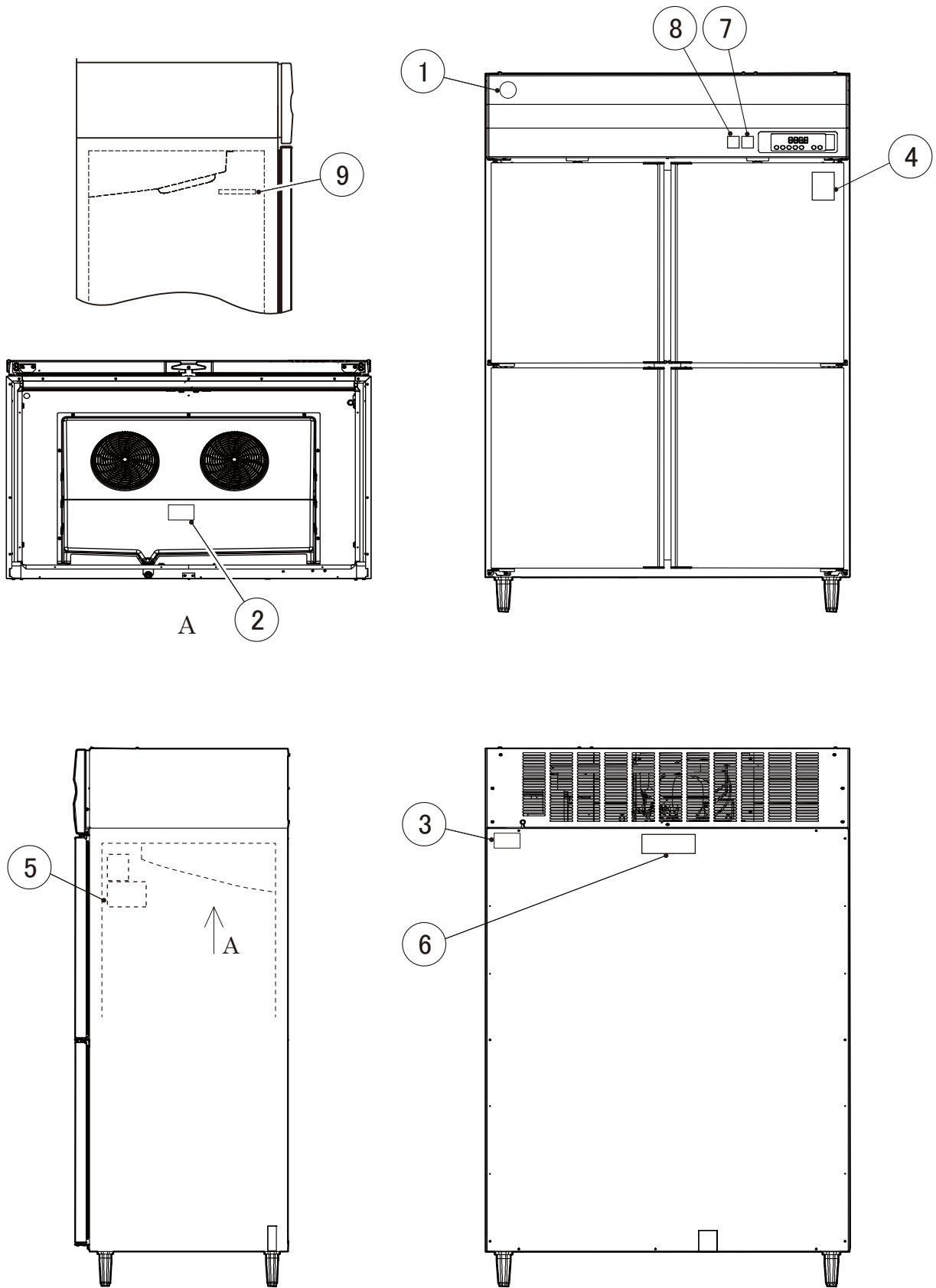
INDEX NO.	DESCRIPTION	MATERIAL OR MODEL NUMBER	PART NUMBER	REQ'D NUMBER			
				R-0 and later			
1	BRACKET-FM		3C1093M01	1			
2	FAN MOTOR		C07230-01	1			
3	FAN BLADE		P00029-01	1			
4	HEX HEAD BOLT SW		FBK0408S0	3			



MODEL: **HR-146MC-S**

TITLE: **K. DUCT ASSY**

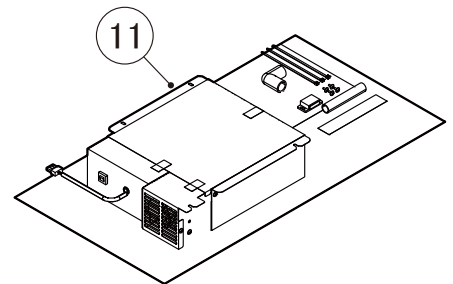
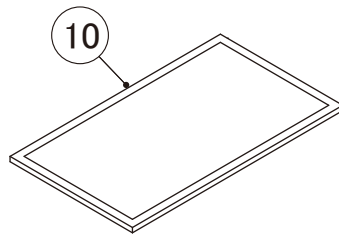
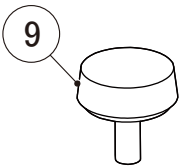
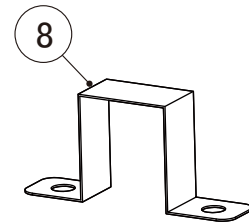
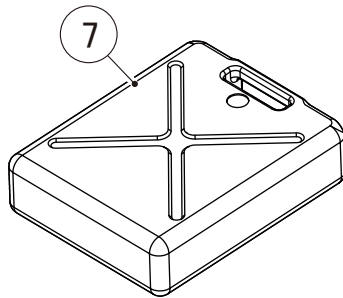
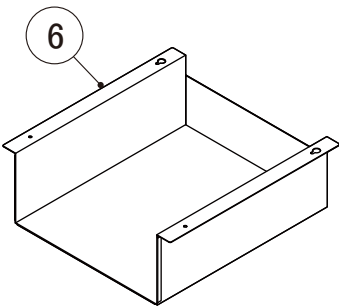
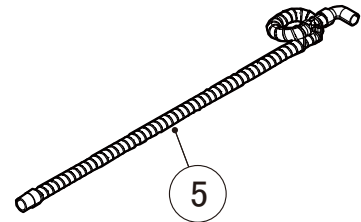
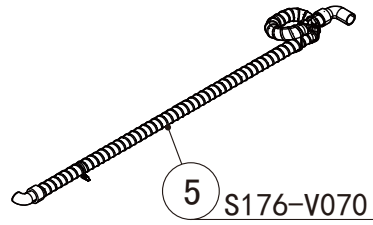
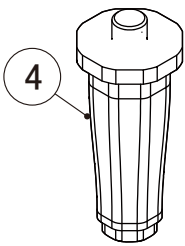
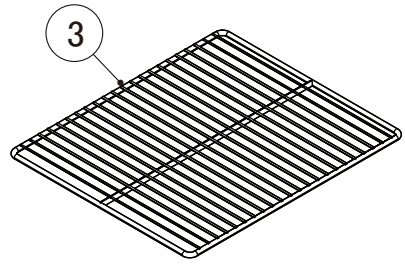
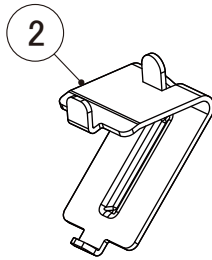
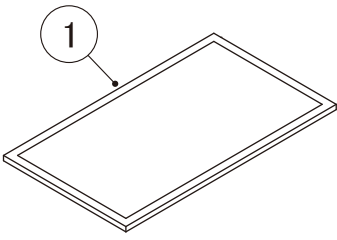
INDEX NO.	DESCRIPTION	MATERIAL OR MODEL NUMBER	PART NUMBER	REQ'D NUMBER			
				R-0 and later			
1	DUCT - G		1C1098G01	1			
2	FAN COVER		277030P01	2			
3	TRUSS HEAD TAPPING SCREW T1		FT10410S0	8			
4	WIRE RETAINER		427902-05	1			



MODEL: **HR-146MC-S**

TITLE: **L. LABEL LOCATION**

INDEX NO.	DESCRIPTION	MATERIAL OR MODEL NUMBER	PART NUMBER	REQ'D NUMBER			
				R-0 and later			
1	CHARACTER LABEL - PENGUIN		475552L02	1			
2	LABEL - FAN COVER		472775L01	1			
3	CAUTION LABEL/CYCLOPENTANE		381437L01	1			
4	LABEL - ADVISORY		399626L01	1			
5	CAUTION LABEL - FIRE A		3J0417L01	1			
6	CAUTION LABEL - FIRE B		3J0418L01	1			
7	LABEL - HACCP		476519L01	1			
8	LABEL QR - CODE	S176-V070 S176-V170 S176-V370 S176-V470	491998L01	1			
9	LABEL - LOAD LIMIT	S176-V070	482995L01	1			



MODEL: **HR-146MC-S**

TITLE: **M. ACCESSORIES**

INDEX NO.	DESCRIPTION	MATERIAL OR MODEL NUMBER	PART NUMBER	REQ'D NUMBER			
				R-0 and later			
1	INSTRUCTIONS MANUAL		L1S174***	1			
2	CLIP-SHELF		428957-01	32			
3	SHELF - 147HD		388974G01	8			
4	LEG		P05012-01	4			
5	DRAIN HOSE ASSY	S176-V070	471190003	1			
			471190002	1			
6	BRACKET - TANK L	S176-V070	3C1494M01	1			
7	DRAIN TANK	S176-V070	1C0830P01	1			
8	BRACKET	S176-V070	4C0885M01	1			
9	THUMBSCREW	S176-V070	428833-01	6			
10	INSTRUCTION SHEET - EVAPORATING PAN	S176-V170 S176-V270 S176-V370 S176-V470	2C1547L01	1			
11	EVAPORATING PAN SET	S176-V170 S176-V270 S176-V370 S176-V470	272922002	1			