



REACH-IN FREEZER/REFRIGERATOR

HRF-78MC-S

PARTS LIST

[HS] [HHK]

S182-V000,S182-C100

Q-1 JAN. 2025

S182-5743 (0226)

Product Code	Spec
--------------	------

HRF-78MC-S

S182-V000	For HS;
S182-C100	For HHK;

AUXILIARY CODE

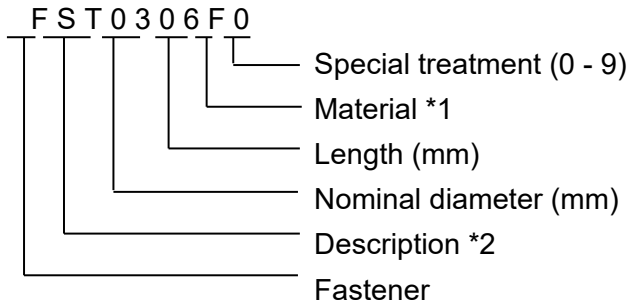
U - 1

The auxiliary code is the first two characters in the serial number. The first character indicates the production year. Years progress or regress in alphabetical order. The series of letters and skipped letters depend on UL listing, production, and model. See the auxiliary code(s) and corresponding year(s) on the front cover.

The second character indicates significant part changes within the same year. Base is "1" and this number advances for each change. If there is no significant part change at the turn of the year, this number starts from "0."

FASTENER PART NUMBER

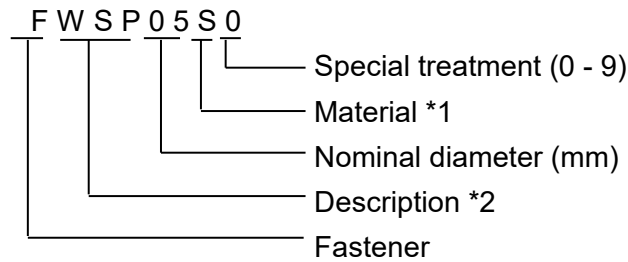
SCREWS



*1

- F: Steel
- S: Austenitic stainless steel
- M: Martensitic stainless steel
- B: Copper alloy
- P: Polycarbonate
- N: Polyamide
- V: PVC
- A: ABS
- X: Polyacetal
- L: Aluminum

NUTS & WASHERS



*2

- First letter
- S: Machine screw
- T: Tapping screw
- M: Wood screw
- B: Bolt
- W: Washer
- N: Nut

MODEL: **HRF-78MC-S**TITLE: **A. REFRIGERATOR ASSY**

INDEX NO.	DESCRIPTION	MATERIAL OR MODEL NUMBER	PART NUMBER	REQ'D NUMBER			
				Q-1 and later			
B	CONTROL BOX ASSY	(S-35525)	3C1023A02	1			
C	CONTROL BOX ASSY	(S-35555)	3C1202A01	1			
D	DOOR R,AY	(S-35835)	2C1768A01	1			
E	DOOR R,AY	(S-30223)	274435A01	1			
F	FRONT PANEL ASSY		2C1371A05	1			
G	REFRIGERATION ASSY		1C1073A01	1			
H	FAN MOTOR AY		3C1181A02	1			
J	DUCT AY		391117A01	1			
L	LABEL LOCATION		-	1			
M	ACCESSORIES		-	1			
1	BODY	S182-V000	1C1022G01	1			
		S182-C100	1C0811003	1			
2	GRIP(A)		260268M01	2			
3	GRIP(B)		260269M01	2			
4	FLANGE BOLT (S-TITE)		P02005-01	24			
5	DOOR HINGE (R) , LO		375316G01	1			
6	DOOR HINGE (R) , CT		375317G01	1			
7	DOOR HINGE (R) , UP		375315G01	1			
8	HINGE COLLAR - HINGE		339948-01	2			
9	HEX HEAD BOLT SW		FBK0410S0	19			
10	AIR DUCT(G) - F		2C2494G01	1			
11	GASKET - DORAIN ELBOW		475688R01	1			
12	POWER CORD	S182-V000	P02795-01	1			
	POWER SUPPLY CORD -HS	S182-C100	474677G01	1			
13	TRUSS HEAD SCREW		FST0412S0	2			
14	SIDE PANEL (R)		382770M02	1			
15	SIDE PANEL (L)		382771M02	1			
16	HOLE PLUG		463980-01	6			

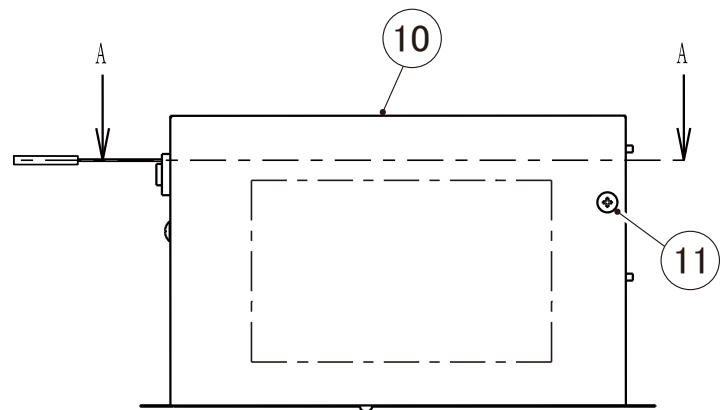
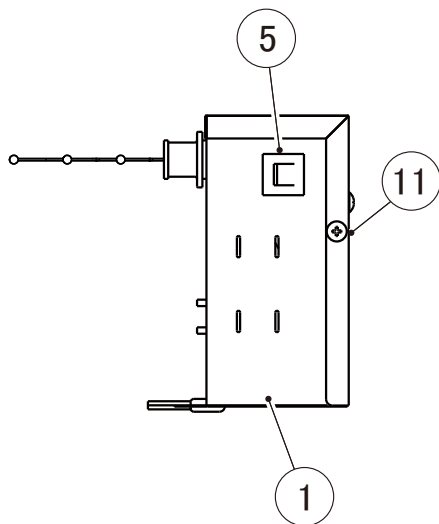
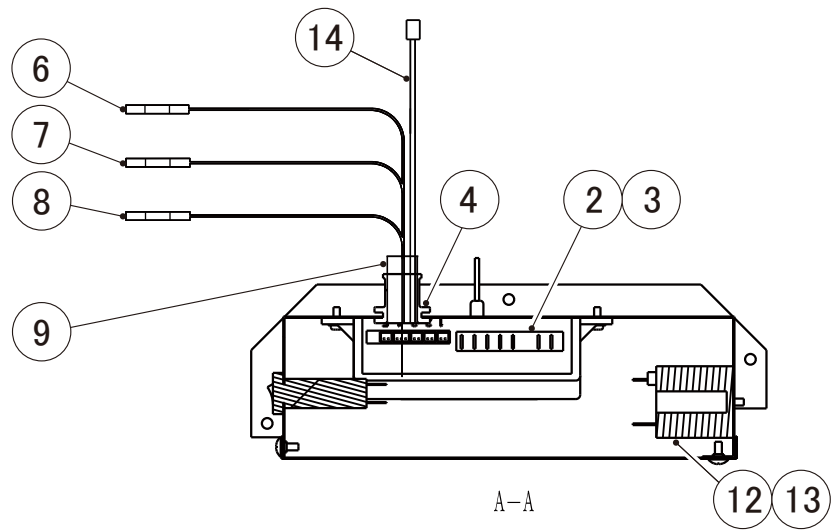
MODEL: **HRF-78MC-S**TITLE: **A. REFRIGERATOR ASSY**

INDEX NO.	DESCRIPTION	MATERIAL OR MODEL NUMBER	PART NUMBER	REQ'D NUMBER			
				Q-1 and later			
17	LABEL/ATTENTION		486545L01	1			
18	WIRING LABEL		2C1774L01	1			
19	S-TITE TRUSS HEAD SCREW		FTS0406M0	4			
20	SPRING WASHER		FWSP04S0	1			
21	AIR FILTER		390730G01	1			
22	BRACKET - FRONT		4C0627M01	1			
23	TRUSS HEAD SCREW		FST0408S0	6			
24	LED LAMP	S182-V000	P05001-04	2			
25	SWITCHING REGULATOR	S182-V000	P05002-01	1			
26	BUSHING	S182-V000	428394-01	4			
27	PAN HEAD SCREW SW	S182-V000	FSK0308S0	18			
28	SEPARATOR	S182-V000	3C0105G02	1			
		S182-C100	3C0105G01	1			
29	COVER - CORD		391240M01	1			
30	COVER - DUCT		391199M01	1			
31	T2 TRUSS HEAD SCREW		FT20408S0	11			
32	DUCT B		2C0383M01	1			
33	INSULATION		4R5835Z01	4			
34	CONNECTOR BOX G	S182-V000	3C0471G01	1			
35	CLAMP		418814-06	1			
36	TRUSS HEAD SCREW		FST0408F0	1			
37	BRACKET - LEAD SWITCH		3C1273M01	1			
38	COVER - LEAD SWITCH		4C0667M01	1			
39	REED SWITCH		P02940-01	1			
40	BUSHING		428394-07	1			
41	HEX HEAD BOLT SW		FBK0408S0	2			
42	REAR COVER		269177M01	1			
43	TOP COVER		279140M01	1			
44	BUSHING		428394-03	1			

MODEL: **HRF-78MC-S**

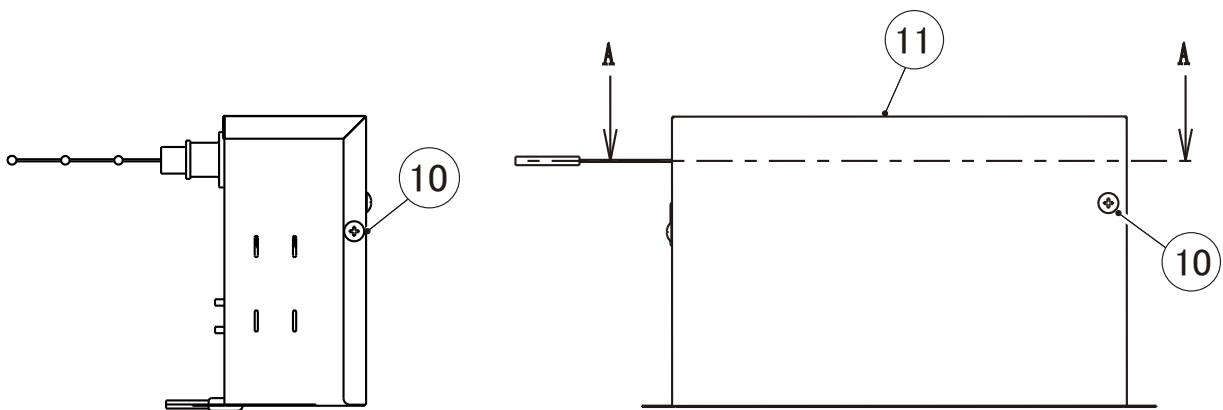
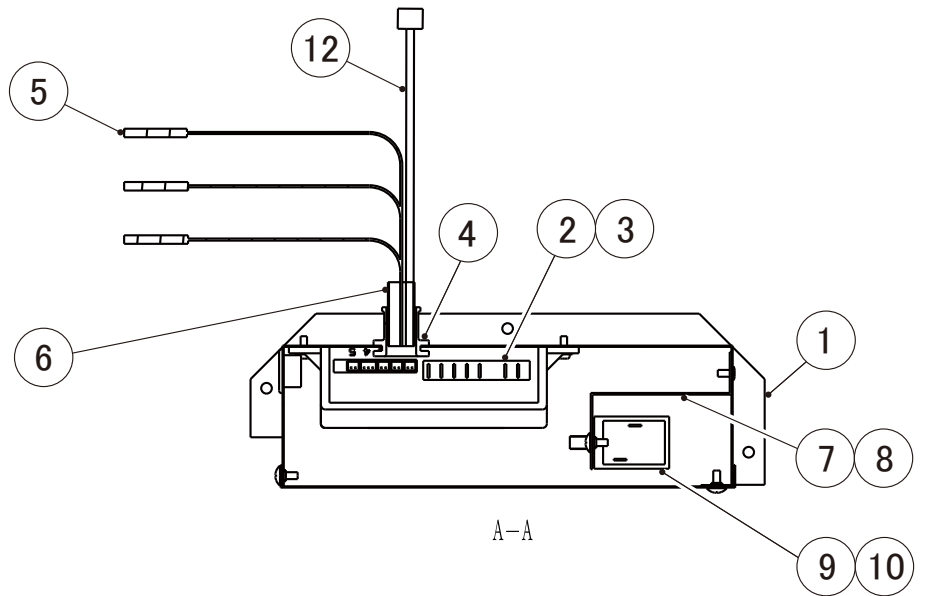
TITLE: **A. REFRIGERATOR ASSY**

INDEX NO.	DESCRIPTION	MATERIAL OR MODEL NUMBER	PART NUMBER	REQ'D NUMBER			
				Q-1 and later			
45	COVER - CORD	S182-V000	391313M01	1			
46	FLANGE BOLT (S-TITE)		445994-05	14			
47	LABEL - ENERGY	S182-V000	292088L25	1			
48	COVER	S183-C100	386702M01	1			
49	T2 TRUSS HEAD SCREW	S183-C100	FT20408M0	2			
50	GROMMET	S183-C100	410666-05	1			



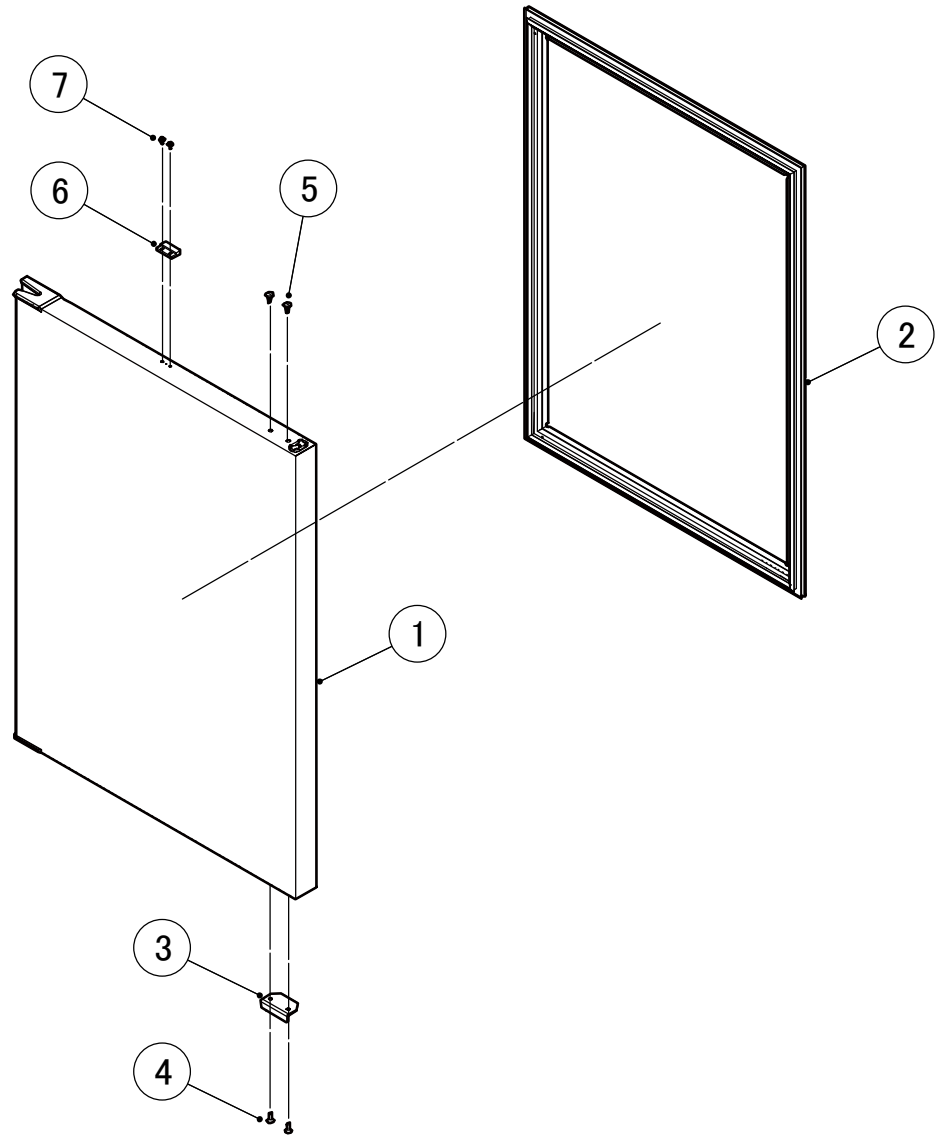
MODEL: **HRF-78MC-S**TITLE: **B. CONTROL BOX ASSY(S-35525)**

INDEX NO.	DESCRIPTION	MATERIAL OR MODEL NUMBER	PART NUMBER	REQ'D NUMBER			
				Q-1 and later			
1	CONTROL BOX		3C1021M01	1			
2	CONTROLLER		C06540-01	1			
3	T2(S) FLANGED PAN HEAD SCREW		431415-01	2			
4	GROMMET		4H2568-02	1			
5	PROTECTOR		440972-07	1			
6	TERMISTOR	線色; 白	C06414-01	1			
7	TERMISTOR	線色; 黒	C06414-02	1			
8	TERMISTOR	線色; 灰	C06414-03	1			
9	VINYL TUBE - UL		4C0050Z01	1			
10	COVER - CONTROL BOX		3C1022M01	1			
11	TRUSS HEAD SCREW		FST0408S0	2			
12	POWER RELAY		C06306-01	1			
13	T2 TRUSS HEAD SCREW		FT20408F0	2			
14	HARNESS - CONTROLLER		C06580-01	1			



MODEL: **HRF-78MC-S**TITLE: **C. CONTROL BOX ASSY(S-35555)**

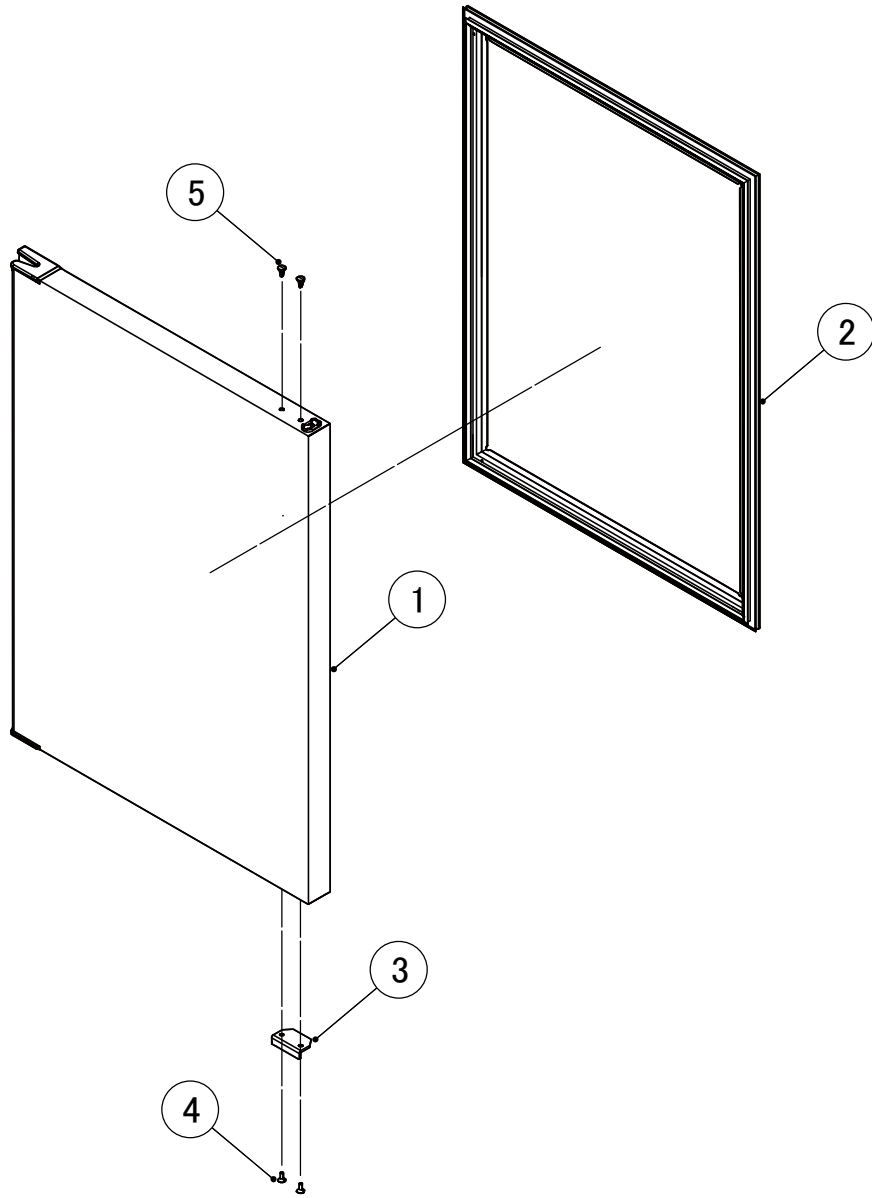
INDEX NO.	DESCRIPTION	MATERIAL OR MODEL NUMBER	PART NUMBER	REQ'D NUMBER			
				Q-1 and later			
1	CONTROL BOX		3C1201M01	1			
2	CONTROLLER		C06540-01	1			
3	T2(S) FLANGED PAN HEAD SCREW		431415-01	2			
4	GROMMET		4H2568-02	1			
5	TERMISTOR		C06414-04	1			
6	VINYL TUBE - UL		4C0050Z01	1			
7	BRACKET		4C0115M01	1			
8	RIVET		7170-0202	2			
9	THERMOSTAT		P05645-01	1			
10	TRUSS HEAD SCREW		FST0408S0	4			
11	COVER - CONTROL BOX		3C1022M01	1			
12	HARNESS - CONTROLLER		C06580-01	1			



MODEL: **HRF-78MC-S**

TITLE: **D. DOOR R,AY(S-35835)**

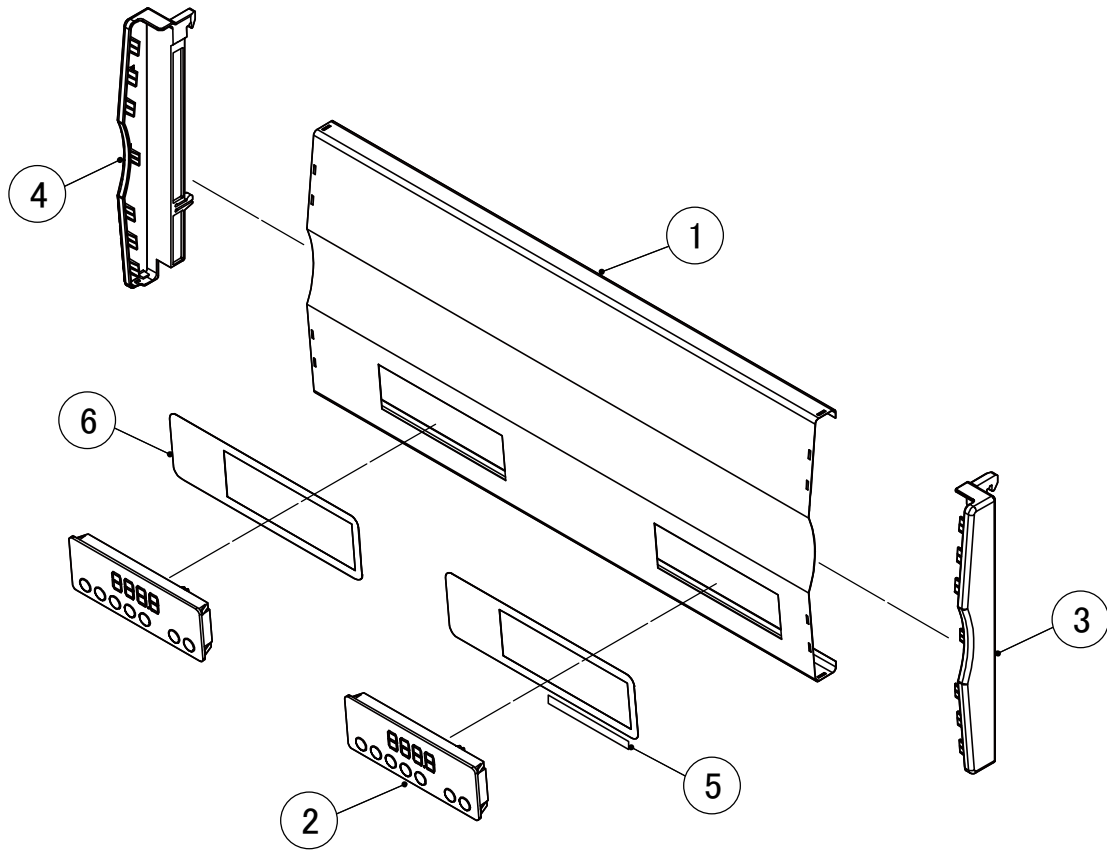
INDEX NO.	DESCRIPTION	MATERIAL OR MODEL NUMBER	PART NUMBER	REQ'D NUMBER			
				Q-1 and later			
1	DOOR - INSULATION		274178G04	1			
2	DOOR GASKET - HD		260225G01	1			
3	DOOR STOPPER		454210-01	1			
4	FLAT HEAD TAPPING SCREW (S-TITE)		FTF0512M0	2			
5	HOLE PLUG		463980-01	2			
6	MAGNET		436974-01	1			
7	PAN HEAD SCREW SW		FSK0308S0	2			



MODEL: **HRF-78MC-S**

TITLE: **E. DOOR R,AY(S-30223)**

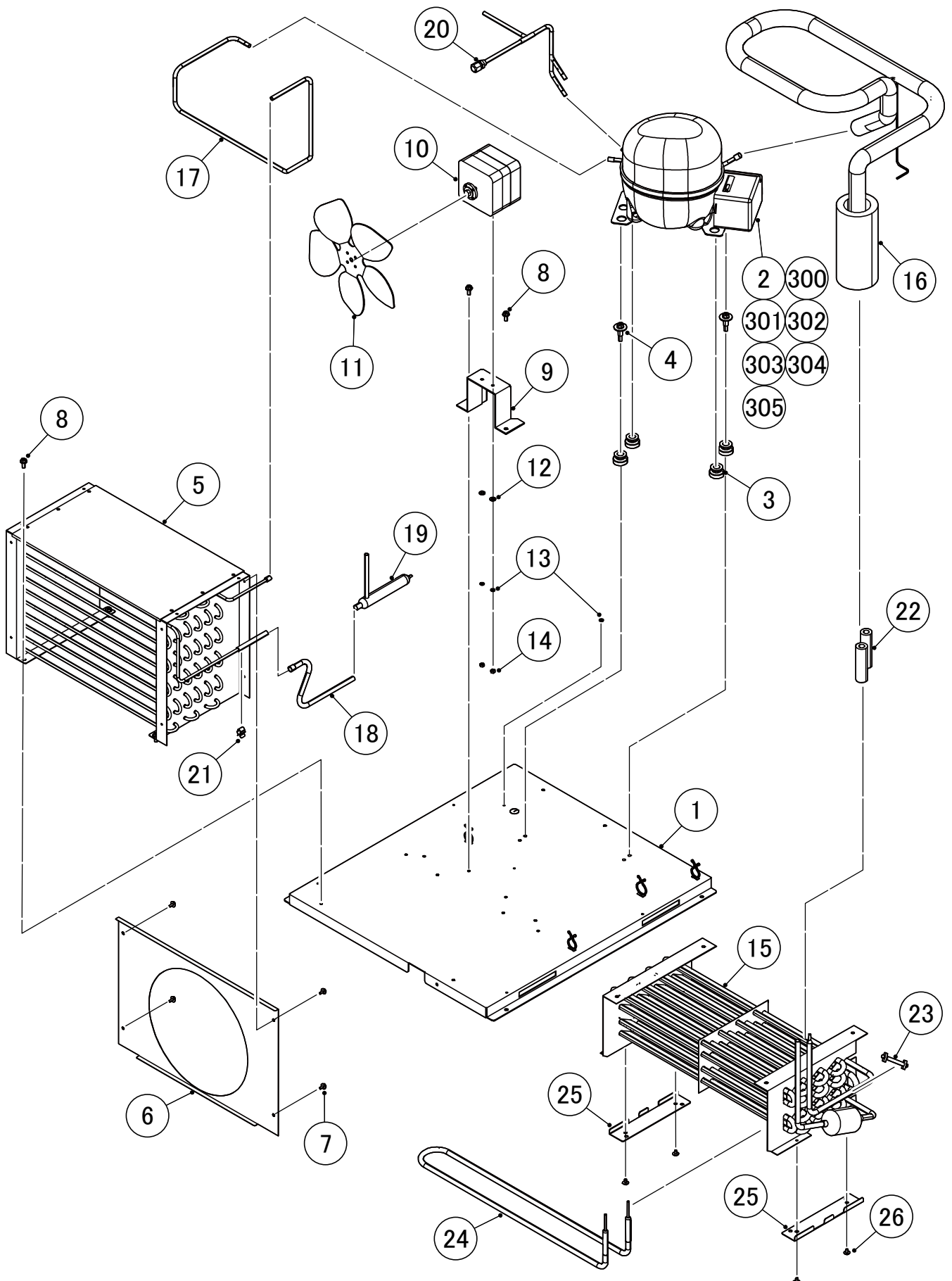
INDEX NO.	DESCRIPTION	MATERIAL OR MODEL NUMBER	PART NUMBER	REQ'D NUMBER			
				Q-1 and later			
1	DOOR - INSULATION		274178G01	1			
2	DOOR GASKET - HD		260225G01	1			
3	DOOR STOPPER		454210-01	1			
4	FLAT HEAD TAPPING SCREW (S-TITE)		FTF0512M0	2			
5	HOLE PLUG		463980-01	2			



MODEL: **HRF-78MC-S**

TITLE: **F. FRONT PANEL ASSY**

INDEX NO.	DESCRIPTION	MATERIAL OR MODEL NUMBER	PART NUMBER	REQ'D NUMBER			
				Q-1 and later			
1	FRONT PANEL - 70		2C1368M01	1			
2	CONTROLLER DISPLAY		C06539-01	2			
3	CORNER - FRONT PANEL(R)		260090P01	1			
4	CORNER - FRONT PANEL(L)		260091P01	1			
5	LABEL - FREEZER		447056-01	1			
6	CHARACTER LABEL		3C1463L01	2			



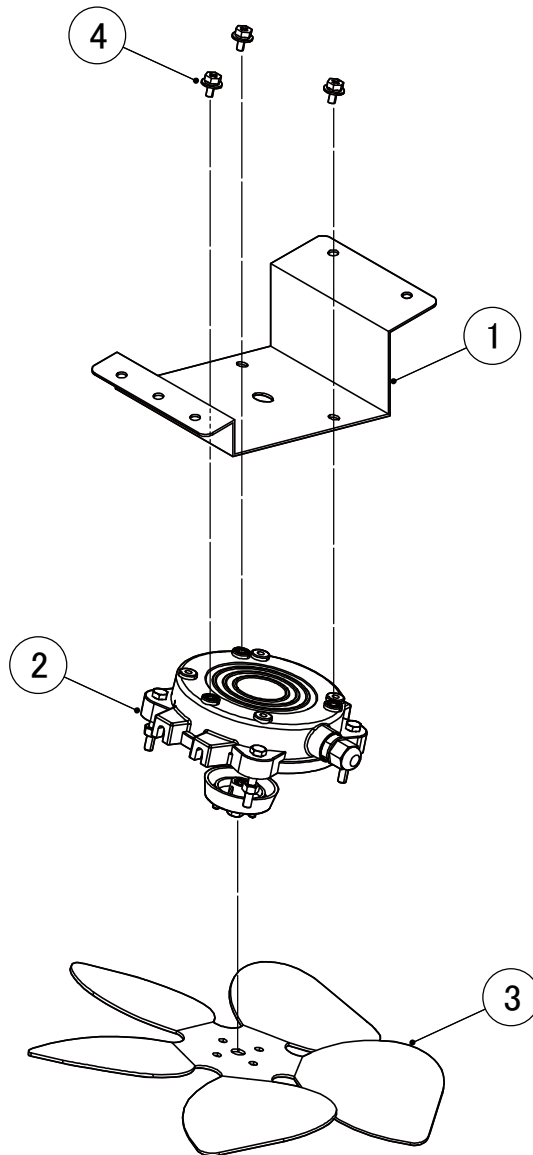
MODEL: **HRF-78MC-S**TITLE: **G. REFRIGERATION ASSY**

INDEX NO.	DESCRIPTION	MATERIAL OR MODEL NUMBER	PART NUMBER	REQ'D NUMBER			
				Q-1 and later			
1	BASE		277898M02	1			
2	COMPRESSOR		P06374-01	1			
3	RUBBER GROMMET		P03232-01	4			
4	BOLT		C05825-01	2			
5	WIRE CONDENSER		P05098-01	1			
6	COVER - CONDENSER		389475M02	1			
7	TAPPING SCREW - HEX		456789-01	4			
8	FLANGE BOLT (S-TITE)		P02005-01	6			
9	BRACKET - FAN MOTOR		471206M01	1			
10	FAN MOTOR		P00156-01	1			
11	FAN BLADE		P00185-01	1			
12	FLAT WASHER		FWPL04S0	2			
13	SPRING WASHER		FWSP04S0	3			
14	NUT		FNH104S0	2			
15	EVAPORATOR		P05667-01	1			
16	HEAT EXCHANGER		2C1201G01	1			
17	COPPER TUBE A - H		3C1024M01	1			
18	COPPER TUBE(B) - (H)		4C0402M01	1			
19	DRIER		C06620-02	1			
20	COPPER TUBE L		3C1114G01	1			
21	CLIP-THERMISTOR		4R2938-01	1			
22	INSULATION TUBE(ARMA FLEX)		H91022070	2			
23	FUSE		P01103-01	1			
24	DEFROST HEATER		C06091-03	1			
25	SUPPORT - HEATER		3C0302M01	2			
26	TRUSS HEAD TAPPING SCREW T2		FT20406M0	4			
300	TERM BOARD		P06389-01	1			
301	COVER TERM BOARD		P06390-01	1			
302	OLP		P06391-01	1			

MODEL: **HRF-78MC-S**

TITLE: **G. REFRIGERATION ASSY**

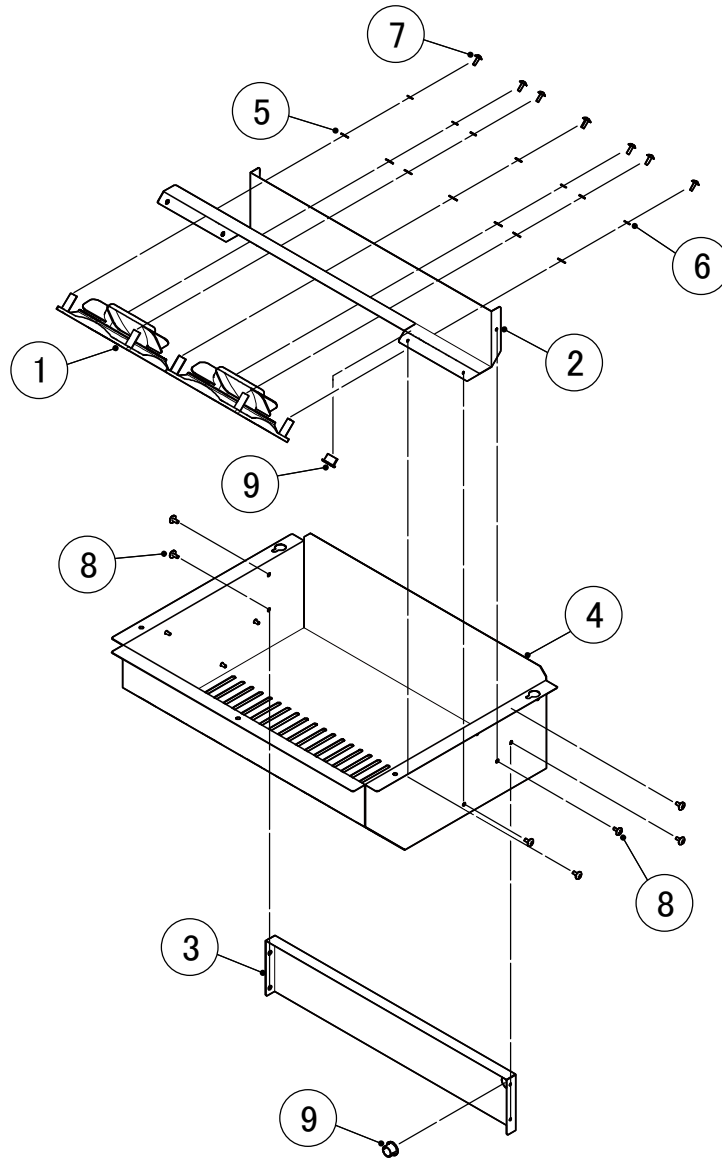
INDEX NO.	DESCRIPTION	MATERIAL OR MODEL NUMBER	PART NUMBER	REQ'D NUMBER			
				Q-1 and later			
303	TY-RELAY		P06392-01	1			
304	START CAPACITOR		P06393-01	1			
305	CAPACITOR HOLDER		P06394-01	1			



MODEL: **HRF-78MC-S**

TITLE: **H. FAN MOTOR AY**

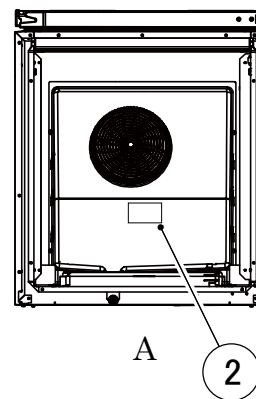
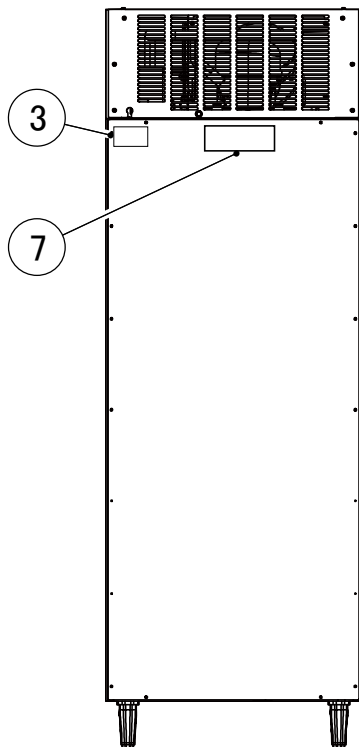
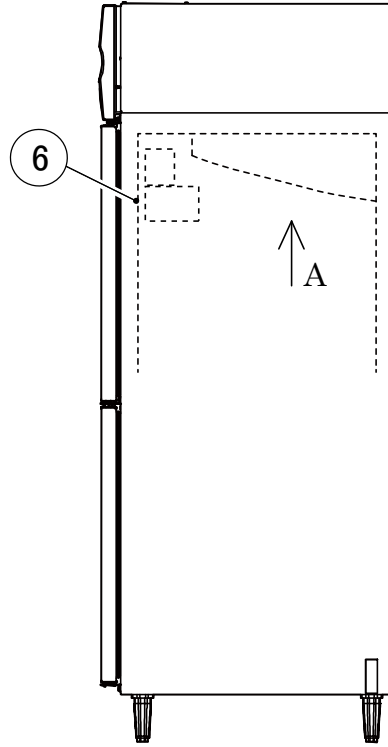
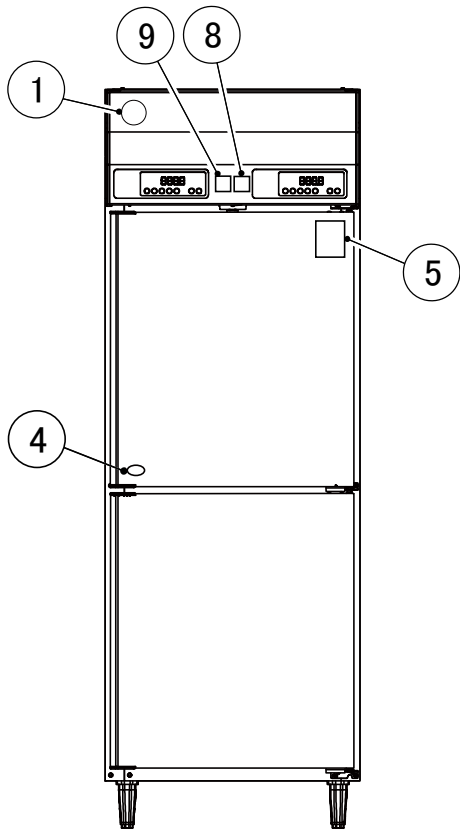
INDEX NO.	DESCRIPTION	MATERIAL OR MODEL NUMBER	PART NUMBER	REQ'D NUMBER			
				Q-1 and later			
1	BRACKET-FM		3C1093M02	1			
2	FAN MOTOR		C07230-01	1			
3	FAN BLADE		P00029-01	1			
4	HEX HEAD BOLT SW		FBK0408S0	3			



MODEL: **HRF-78MC-S**

TITLE: **J. DUCT AY**

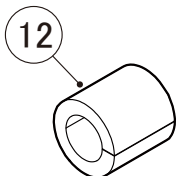
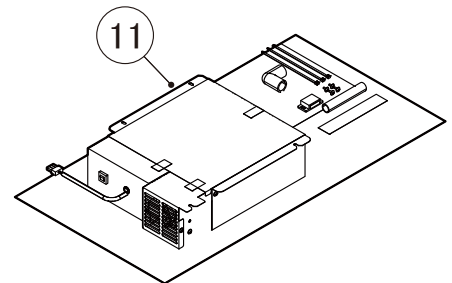
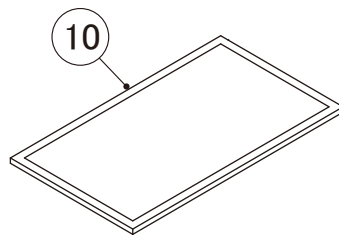
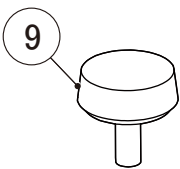
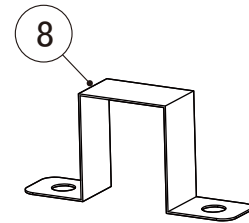
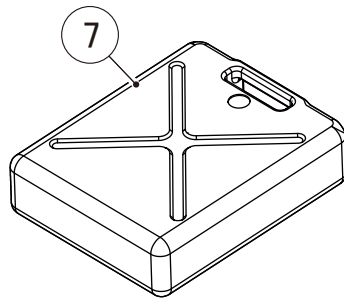
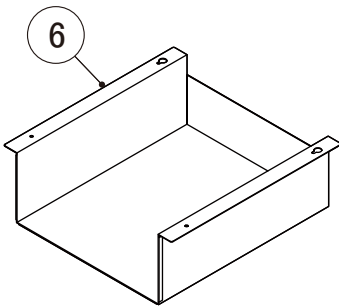
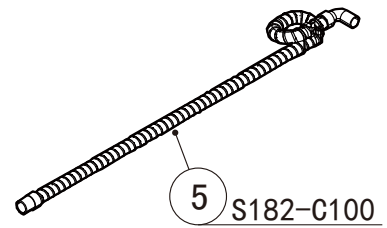
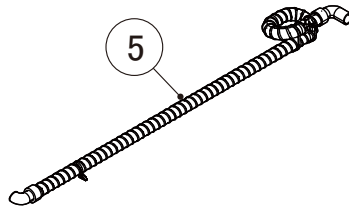
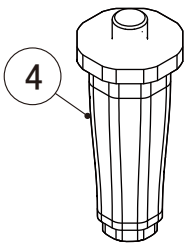
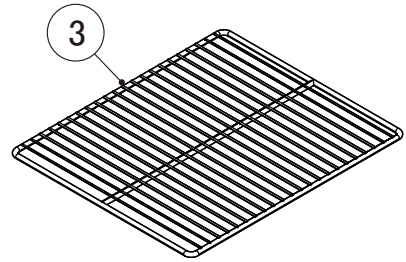
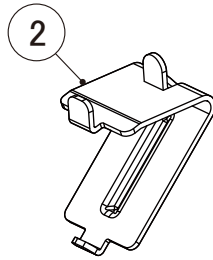
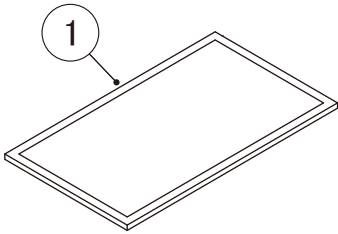
INDEX NO.	DESCRIPTION	MATERIAL OR MODEL NUMBER	PART NUMBER	REQ'D NUMBER			
				Q-1 and later			
1	FAN MOTOR		P03682-01	2			
2	BRACKET - FAN		279765M01	1			
3	GUIDE		391116M01	1			
4	DUCT		279764M01	1			
5	FLAT WASHER		FWPL04S0	8			
6	SPRING WASHER		FWSP04S0	8			
7	TRUSS HEAD TAPPING SCREW T2		FT20410S0	8			
8	TRUSS HEAD SCREW		FST0408S0	10			
9	BUSHING		428394-04	2			



MODEL: **HRF-78MC-S**

TITLE: **L. LABEL LOCATION**

INDEX NO.	DESCRIPTION	MATERIAL OR MODEL NUMBER	PART NUMBER	REQ'D NUMBER			
				Q-1 and later			
1	CHARACTER LABEL - PENGUIN		475552L02	1			
2	LABEL - FAN COVER		472775L01	1			
3	CAUTION LABEL/CYCLOPENTANE		381437L01	1			
4	LABEL - FREEZER		476826L01	1			
5	LABEL - ADVISORY		399626L01	1			
6	CAUTION LABEL - FIRE A		3J0417L01	1			
7	CAUTION LABEL - FIRE B		3J0418L01	1			
8	LABEL - HACCP		476519L01	1			
9	LABEL QR - CODE	S182-V000	491998L01	1			



MODEL: **HRF-78MC-S**TITLE: **M. ACCESSORIES**

INDEX NO.	DESCRIPTION	MATERIAL OR MODEL NUMBER	PART NUMBER	REQ'D NUMBER			
				Q-1 and later			
1	INSTRUCTIONS MANUAL		L1S174***	1			
2	CLIP-SHELF		428957-01	16			
3	SHELF - 77HD		372087G01	4			
4	LEG		P05012-01	4			
5	DRAIN HOSE ASSY	S182-V000	471190003	1			
		S182-C100	471190002	1			
6	BRACKET - TANK L	S182-V000	3C1494M01	1			
7	DRAIN TANK	S182-V000	1C0830P01	1			
8	BRACKET	S182-V000	4C0885M01	1			
9	THUMBSCREW	S182-V000	428833-01	6			
10	INSTRUCTION SHEET - EVAPORATING PAN	S182-C100	2C1547L01	1			
11	EVAPORATING PAN SET	S182-C100	272922002	1			
12	HOLDER - SHELF	S182-C100	4R6243Z01	4			