

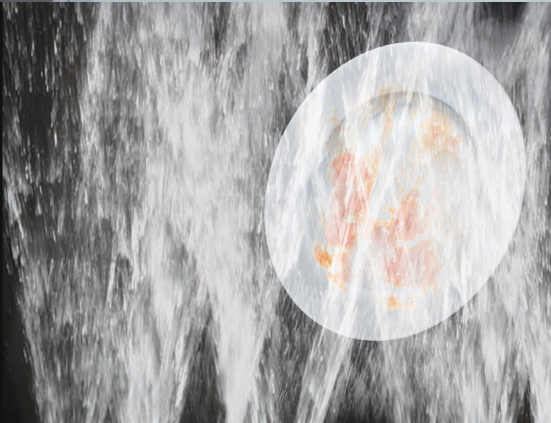


UNDERCOUNTER TYPE DISHWASHER

HW-320B



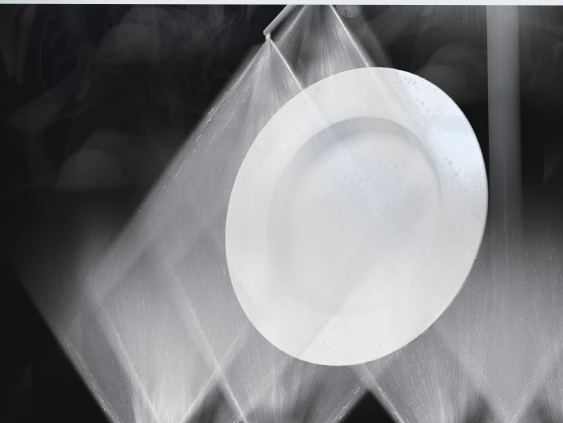
WASHING



POWERFUL WASHING

Japan designed original washing nozzles clean up every corner powerfully and perfectly.

RINSING

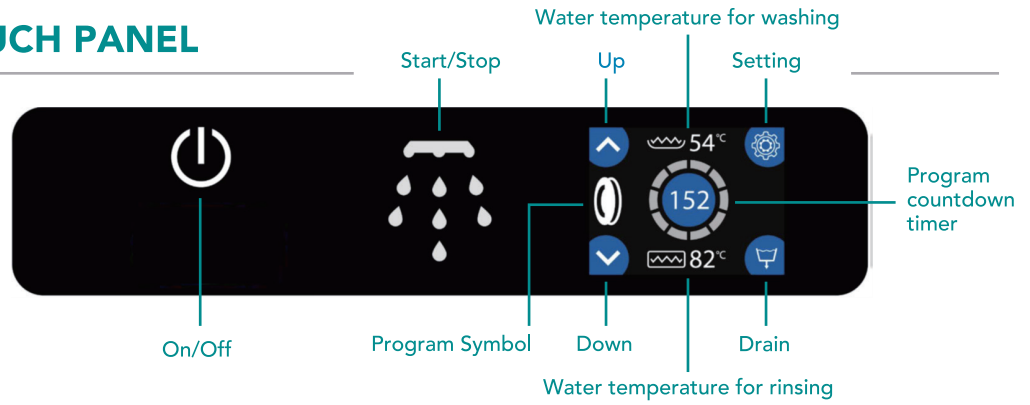


ENVIRONMENTALLY FRIENDLY

Japan designed original rinsing nozzles that can spray to wide angle by small amount of water enable wash away detergent thoroughly with less water consumption.

EASY TO USE TOUCH PANEL

User friendly touch control panel follows washing steps easily with colored and dynamic graphics. Detergent / Rinse aid time is adjustable from touch control panel.

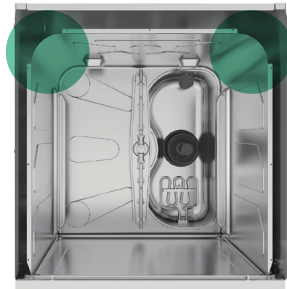


LARGE LOADING HEIGHT



The large loading height allows you to wash large dishes and utensils.

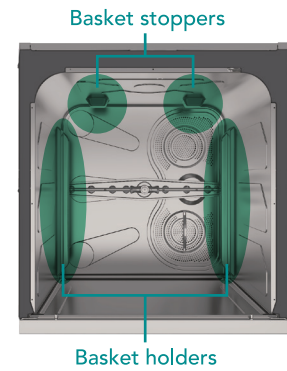
HYGIENIC DESIGN



Rounded corners

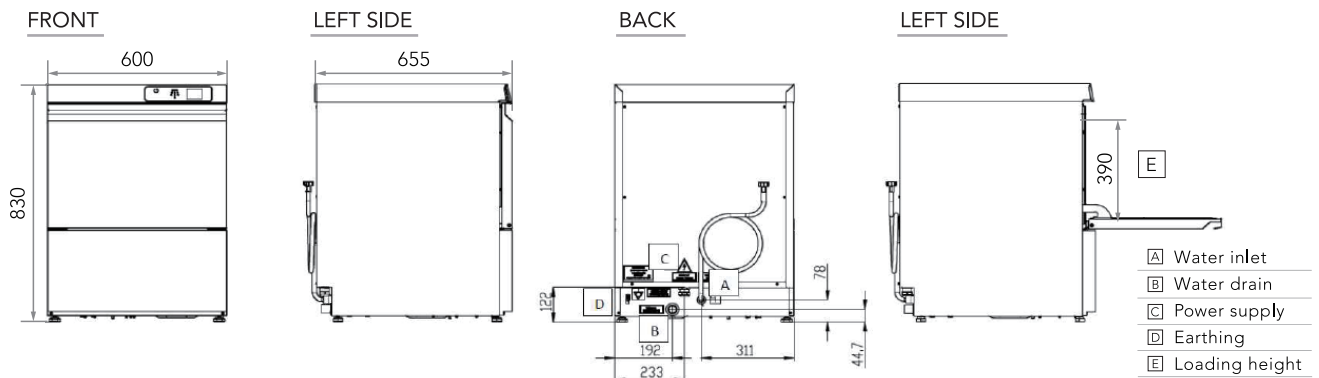
Stainless steel and seamless integral construction washing tank with round corners keep the machine clean and hygienic.

PERFECT WASHING DESIGN



Basket stoppers and holders help you to place your basket at the correct position for perfect washing.

UNDERCOUNTER TYPE DISHWASHER HW-320B



Code	075T.1111AH.EA	Washing / Boiler Tank Capacity	12 L / 7 L
Model Name	HW-320B PDRT	Max. Noise	65 dBA
Power Supply	1 ph / 220 - 240 V / 60 Hz	Loading Height	390 mm
Electric Consumption	5.0 - 5.8 kW	Outside Dimensions / Weight	600 (W) x 655 (D) x 830 (H) mm / 57 kg
Washing Heat Power	1.8 - 2.2 kW	Package / Weight	700 (W) x 750 (D) x 1000 (H) mm / 65 kg
Rinsing Heat Power	4.4 - 5.2 kW	Water Inlet Connection	3 / 4 inch
Rack Dimensions	500 x 500 mm	Water Inlet Pressure / Temp.	2 - 4 Bar / max 50 °C
Number of Programmes	5	Drain Water Discharge Connection	3 / 4 inch (Ø28 mm)
Washing Capacity (Rack / Hour)	35 / 27 / 23 / 20 / 18	Accessories	- Electrical Connection Cable - Flexible Water Supply and Drain Hose - 2 Racks (Plate and Glass) - 1 Small Cutlery Basket - Detergent & Rinse Aid Dispenser - Drain Pump
Washing Water Temp.	55 - 60 °C		
Rinsing Water Temp.	80 - 85 °C		
Water Consumption	2.3 L		