



# HOSHIZAKI



## > FM-300AKE

flake ice

daily ice production capacity of up to **320KG**



## > FM-300AKE-N

nugget ice

daily ice production capacity of up to **270KG**



(With Hoshizaki Storage Bin - **B301SA**)

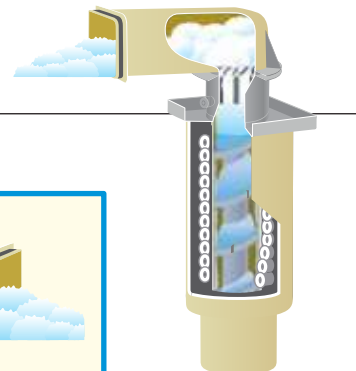
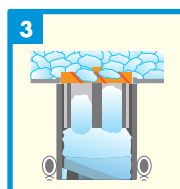
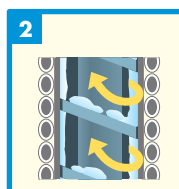
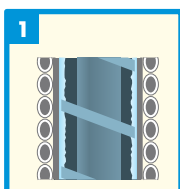
FLAKE ICE MAKER SERIES

Apart from drinks, ice is important for preservation. Hoshizaki's FM ice machines produce flakes that are 70% ice and 30% water and are primarily used for cooling purposes. It is also used in large facilities such as in healthcare, catering, supermarket chains or even cocktail bars.

## FEATURES

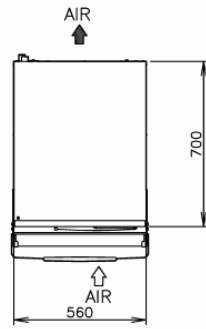
- > Auger is made of doublehardened stainless steel. Combined with carbon bearings, they work optimally in a tough and wet environment. Benefits include longer product life expectancy and reduced maintenance costs.
- > 100% hfc free CO2 foam insulation maintains consistent temperature
- > smart computer board technology
- > stainless steel exterior
- > led error indicator for easy diagnosis

## UNIQUE ICE PRODUCTION SYSTEM

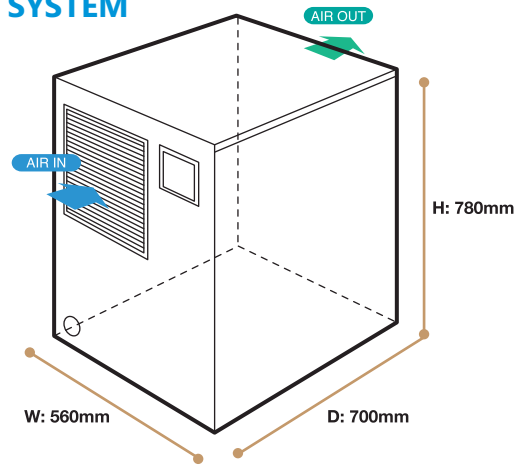


# DIMENSIONS & SPECIFICATION

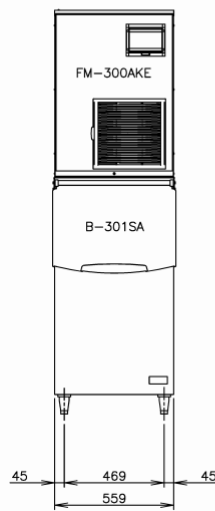
## TOP SIDE



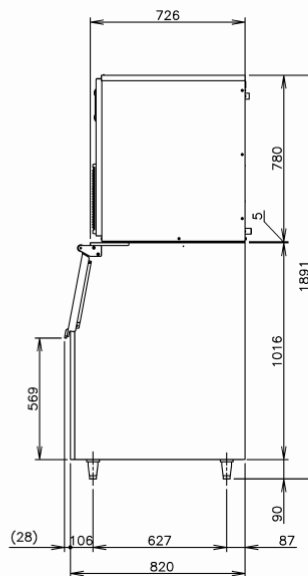
## FLAKE ICE MAKER AIR SYSTEM



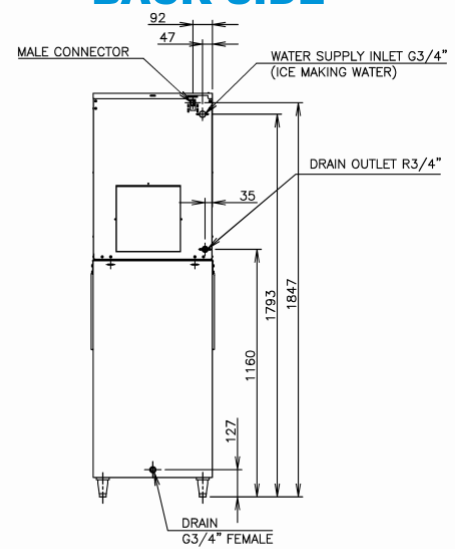
## FRONT SIDE



## RIGHT SIDE



## BACK SIDE



MODEL NAME		FM-300AKE	FM-300AKE-N
ICE SHAPE		Flake	Nugget
DIMENSIONS (MM) (W x D x H)		560 x 700 x 780	
PACKED DIMENSIONS (MM) (W x D x H)		665 x 820 x 950	
WEIGHT (NETT/GROSS)		80 KG / 87 KG	
AMPERAGE / STARTING AMPERAGE		5.8A / 19A	5.7A / 19A
ELECTRICAL CONSUMPTION		1000 W	
REFRIGERANT CHARGE		R404A	
HEAT REJECTION		2200 W (1891 kcal/h)	
ICE PRODUCTION PER 24H	(AT10C/WT10C)	320 KG	270 KG
	(AT21C/WT15C)	260 KG	225 KG
	(AT32C/WT21C)	200 KG	180 KG
WATER CONSUMPTION PER 24H (AT32C/WT21C)		0.230 m <sup>3</sup>	0.210 m <sup>3</sup>
		1.15 L / 1KG ICE	1.16 L / 1KG ICE

**OPERATING CONDITIONS:** • Voltage Range: 198V-254V • Ambient Temperature: 5°-40°C  
 • Water Supply: 5°-35°C / 0.05-0.8 Mpa / 7.25-116 PSI • AC Supply Voltage: 1/220-240V / 50 Hz