



# HOSHIZAKI

- > IM-240DNE
- > IM-240DNE-21
- > IM-240DNE-23
- > IM-240DNE-32

Daily ice production capacity up to 240KG



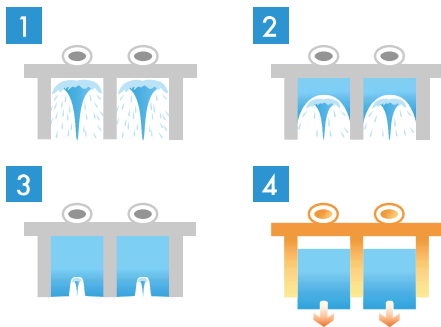
CUBE ICE MAKER SERIES

Cube ice is perfectly symmetrical and leaves a good impression with its hard, crystal clear quality that melts very slowly; allowing customers to enjoy their favourite drink longer. The IM series allows more flexibility of application with each range offering ice in variable sizes alongside a design for uncomplicated usage from start to finish.

## FEATURES

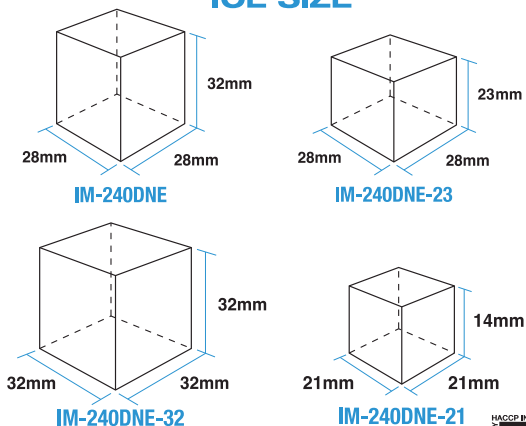
- > smart computer board technology
- > slide-in air filter for easy cleaning
- > LED error indicator for easy diagnosis
- > stainless steel exterior provides a hygienic and high quality finish
- > less water consumption
- > units designed stackable for higher ice capacity (model: XNE Extender Series)

### UNIQUE ICE PRODUCTION SYSTEM



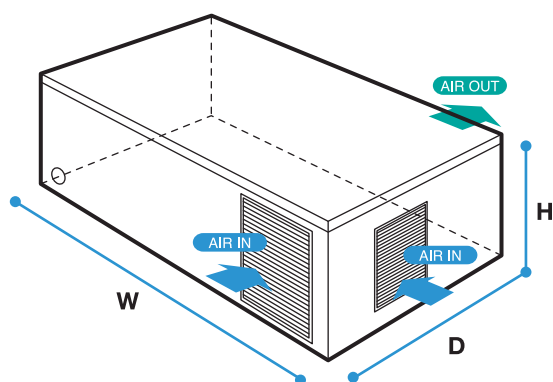
- > Individual cube
- > Impurity free
- > Hardest ice to enjoy slow melting and dilution of drinks

### ICE SIZE

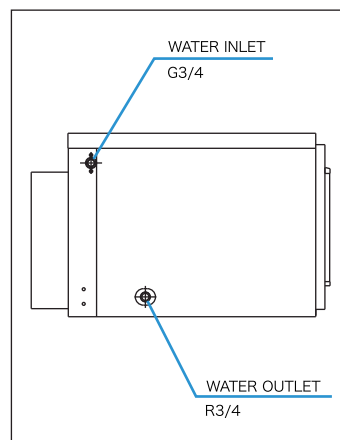


# DIMENSIONS & SPECIFICATION

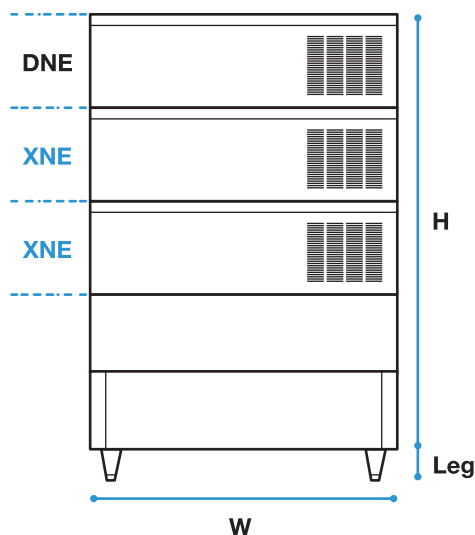
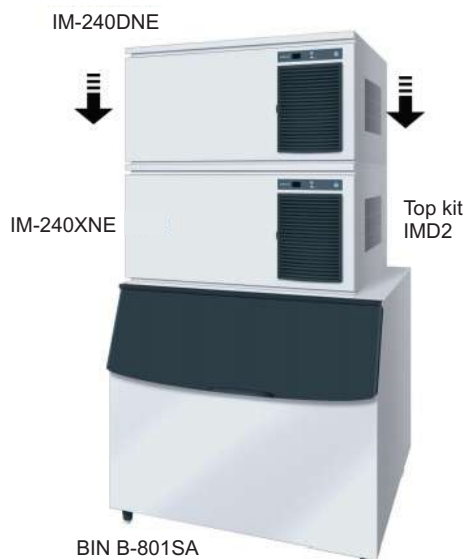
## CUBE ICE MAKER STACKABLE AIR SYSTEM



## BACK SIDE



## XNE - EXTENDER SERIES CONFIGURATION



MODEL NAME		IM-240DNE	IM-240DNE-21	IM-240DNE-23	IM-240DNE-32
ICE DIMENSIONS (MM)		28 x 28 x 32	21 x 21 x 14	28 x 28 x 23	32 x 32 x 32
DIMENSIONS (MM)		1084 x 700 x 500			
PACKED DIMENSIONS (MM)		1196 x 825 x 640			
WEIGHT (NETT/GROSS)		88 KG / 101 KG			
AMPERAGE / STARTING AMPERAGE		6.6A / 35A			
ELECTRICAL CONSUMPTION		1330 W			
REFRIGERANT CHARGE		R404a			
HEAT REJECTION (AT32°C/WT21°C)		2870 W (2470 kcal/h)			
ICE PRODUCTION PER 24H (15MM)	(AT10°C/WT10°C)	240 KG	217 KG(7mm)	225 KG	220 KG
	(AT21°C/WT15°C)	220 KG	210 KG(7mm)	215 KG	210 KG
	(AT32°C/WT21°C)	190 KG	190 KG(7mm)	195 KG	190 KG
WATER CONSUMPTION PER 24H (AT32°C/WT21°C)		0.42 m <sup>3</sup> 2.21L / 1KG ICE	0.43 m <sup>3</sup> 2.26L / 1KG ICE	0.38 m <sup>3</sup> 1.95 L / 1KG ICE	0.34 m <sup>3</sup> 1.79L / 1KG ICE
ICE PRODUCTION (AT32°C/WT21°C)	FREEZE CYCLE TIME	29 MIN	25 MIN	26 MIN	33 MIN
	PER CYCLE	3.2 KG / 140 PCS	2.1 KG / 360 PCS	2.38 KG / 140 PCS	3.3 KG / 108 PCS
MODE		Available also in Water Cooled models.			

**NOTE:** All dimensions indicated are Width x Depth x Height in mm.  
\*60Hz units are available upon request

**OPERATING CONDITIONS:** • Voltage Range: 198V-254V • Ambient Temperature: 1°-40°C  
• Water Supply: 5°-35°C / 0.07-0.8 Mpa / 7.25-116 PSI • AC Supply Voltage: 1/220-240V / 50 Hz