



# HOSHIZAKI

## CERTIFICATION



HACCP International



ISO9001

## DCM-80LS-P-HC ICE & WATER DISPENSER

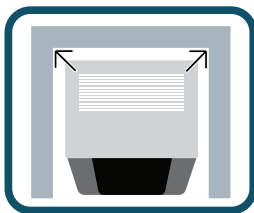


### Key Features



NATURAL  
REFRIGERANTS

**Eco-Friendly  
Refrigerant**



#### Perfect fit

There are no exhaust outlet on the left and right sides and the back, so it can be placed close to the wall.



#### Hygienic design

This Lever type of ice dispenser prevents touching the lip of a glass.



#### Easy for daily cleaning

Draining board can be removed



HOSHIZAKI

PC

#### Easy for maintenance

Notify when parts should be replaced

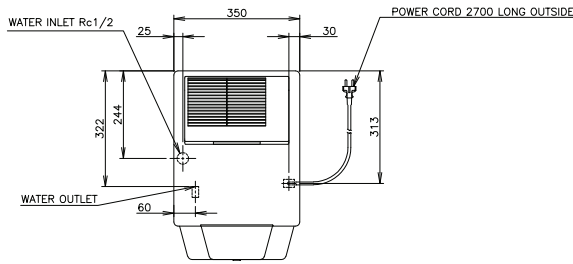
Hoshizaki DCM series are ice/water dispensers producing high-quality servings of cubelet ice and/or water. The three steps of quality ice production, protected ice storage, as well as quick service of ice are all combined in one device – with the help of only one button your refreshment is ready in seconds. With DCM DISPENSERS the user can select from these options:

- » Cubelet ice only
- » Cubelet ice and water
- » Water only



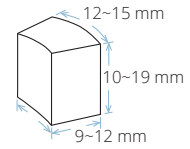
# Dimensions & Specifications

## TOP

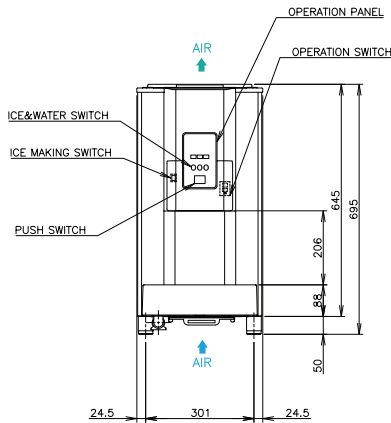


## ICE SHAPE

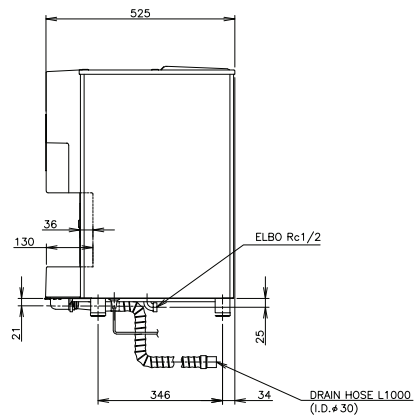
**Cubelet**  
Compressed Flake Ice



## FRONT



## RIGHT SIDE



<b>MODEL</b>	<b>DCM-80LS-P-HC</b>	
<b>ICE SHAPE</b>	Cubelet (Compressed Flake Ice)	
<b>POWER SUPPLY</b>	1 Phase 220-240V 50Hz Capacity: 0.48kVA (2.1A)	
<b>AMPERAGE</b>	1.7A Started: 8.3A	
<b>ELECTRIC CONSUMPTION</b>	290W	
<b>HEAT REJECTION</b>	(AT32°C / WT21°C)	620W
<b>ICE PRODUCTION PER 24H</b>	(AT10°C / WT10°C)	80kg
	(AT21°C / WT15°C)	65kg
	(AT32°C / WT21°C)	50kg
<b>ICE DISPENSING RATE (40G / CUP)</b>	(AT10°C / WT10°C)	Approx. 130 cups / h
	(AT21°C / WT15°C)	Approx. 115 cups / h
	(AT32°C / WT21°C)	Approx. 99 cups / h
<b>STORAGE CAPACITY</b>	Approx. 1.9kg	
<b>WATER CONSUMPTION PER 24H</b>	(AT32°C / WT21°C)	50L
<b>REFRIGERANT</b>	R290	
<b>OUTSIDE DIMENSIONS</b>	350mm(W) x 525mm(D) x 695 (- 710)mm(H)	
<b>PACKAGE</b>	Carton 400mm(W) x 581mm(D) x 749mm(H)	
<b>WEIGHT</b>	41kg (Gross 44kg)	
<b>OPERATING CONDITIONS</b>	Ambient Temp:5-40°C, Water Supply Temp:5-35°C	
	Water Supply Pressure: 0.05-0.78MPa	
	Voltage Range: Rated Voltage±6%	



# HOSHIZAKI

**HOSHIZAKI SINGAPORE PTE. LTD.**

18 Boon Lay Way #01-102 Tradehub21, 609966

TEL 6225 2612 | FAX 6225 3219 | www.hoshizaki.com.sg

