

CERTIFICATION



HACCP International



ISO9001

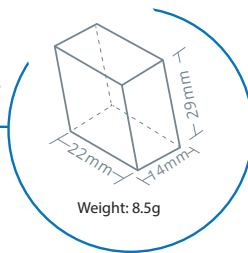
ICE MATE

by  HOSHIZAKI

SRM-200AB-14-B-301SA

ICE MAKER

HALF DICE



ICEMATE is committed to bringing high-efficiency / energy-saving, and high quality ice-making product to people who have dreams and desire to create their own business with the best scientific technology and manufacturing technology.

KEY FEATURES

SAFETY AND HYGIENE ASSURED ICE MACHINE

AUTO-CLEANING



Timely maintenance of water system can extend life of equipment.

PURE ICE



Overflow self-cleaning function, ensuring ice hygiene

IoT



Slow melt Dilution



Slow Dilution
Slower melting speed due to -7°C of inside temp of ice cube

Powerful Ice Making



Powerful Ice Making

Designed for commercial Ice Machine

High-end Compressor
Fast Ice Making
Stable Ice Making

In making cycle about 12.0-13.5min
Ensuring sufficient ice production in 24 hours

Energy & Water Saving, Quiet Operation

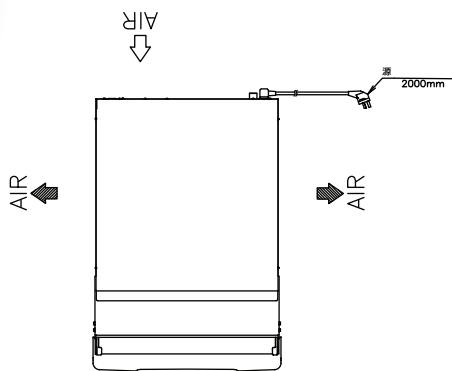


Energy & Water Saving, Quiet Operation

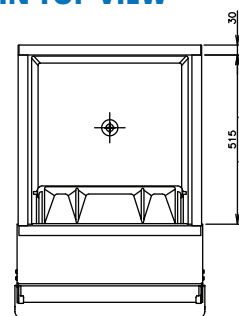
Scientific water cycle system
The water circulation system reasonably utilizes water and reduce waste

Noise Reduction
Stable compressor operation
Machine runs quietly and smoothly

Low energy consumption
Long life compressor
Low energy consumption during operation



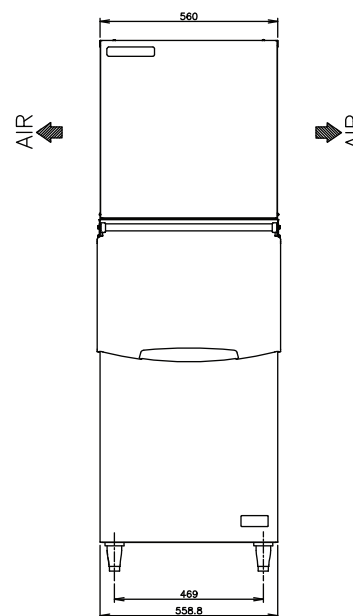
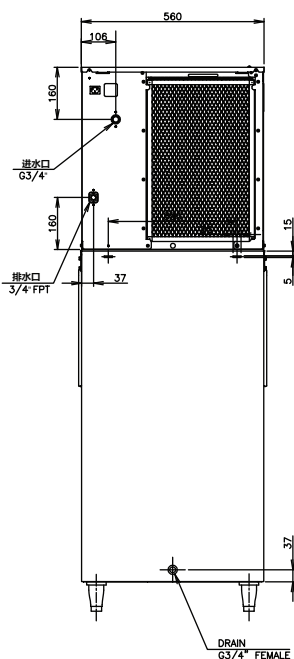
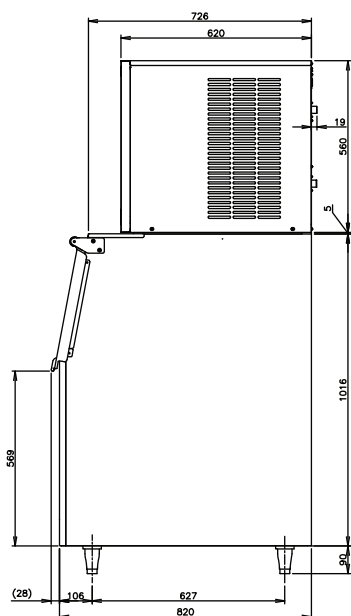
BIN TOP VIEW



RIGHT SIDE

BACK SIDE

FRONT SIDE



SPECIFICATIONS

Ice Dimensions (W x D x H)	29 x 14 x 22 mm
Outside Dimensions (W x D x H)	560 x 820 x 1671(~1701)mm
Package Dimensions (W x D x H)	Ice Maker: Pallet+Carton: 650 x 710 x 750mm Storage Bin: 655 x 924 x 1138mm
Weight (Net / Gross)	Ice Maker: 50kg / 66.5kg Storage Bin: 37kg / 49kg
Amperage / Starting Amperage	5.09A / 22A
Electrical Consumption	(AT32°C / WT21°C) 804W
Refrigerant Charge	R404A/480g
Ice Storage Capacity	Maximum 144 kg
Ice Production per 24H	(AT10°C / WT10°C) Approx. 204 kg (AT21°C / WT15°C) Approx. 180 kg (AT32°C / WT21°C) Approx. 140 kg

Water Consumption per 24H	(AT32°C/WT21°C) 0.15m ³ (1.1 L / kg Ice)
Ice Production Freeze Cycle Time	(AT21°C/WT15°C) 14.3 min
Ice Production per Cycle	(AT21°C/WT15°C) Approx. 1.8kg / 220 pcs

OPERATING CONDITIONS

Voltage Range	198 - 242 V
Ambient Temperature	5 - 38°C
Water Supply	5 - 32°C
Water Supply Pressure	0.07 - 0.55 Mpa (0.7 - 5.5 bar)
Supply Voltage	1/220 - 240V / 50Hz



HOSHIZAKI

HOSHIZAKI SINGAPORE PTE. LTD.

18 Boon Lay Way #01-102 Tradehub21, 609966

TEL 6225 2612 | FAX 6225 3219 | www.hoshizaki.com.sg