



HOSHIZAKI

CERTIFICATION



HACCP International

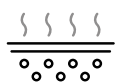


ISO9001

FT-158MA-P-3D UNDERCOUNTER FREEZER



Key Features



Forced Evaporation System



LED Interior Lighting



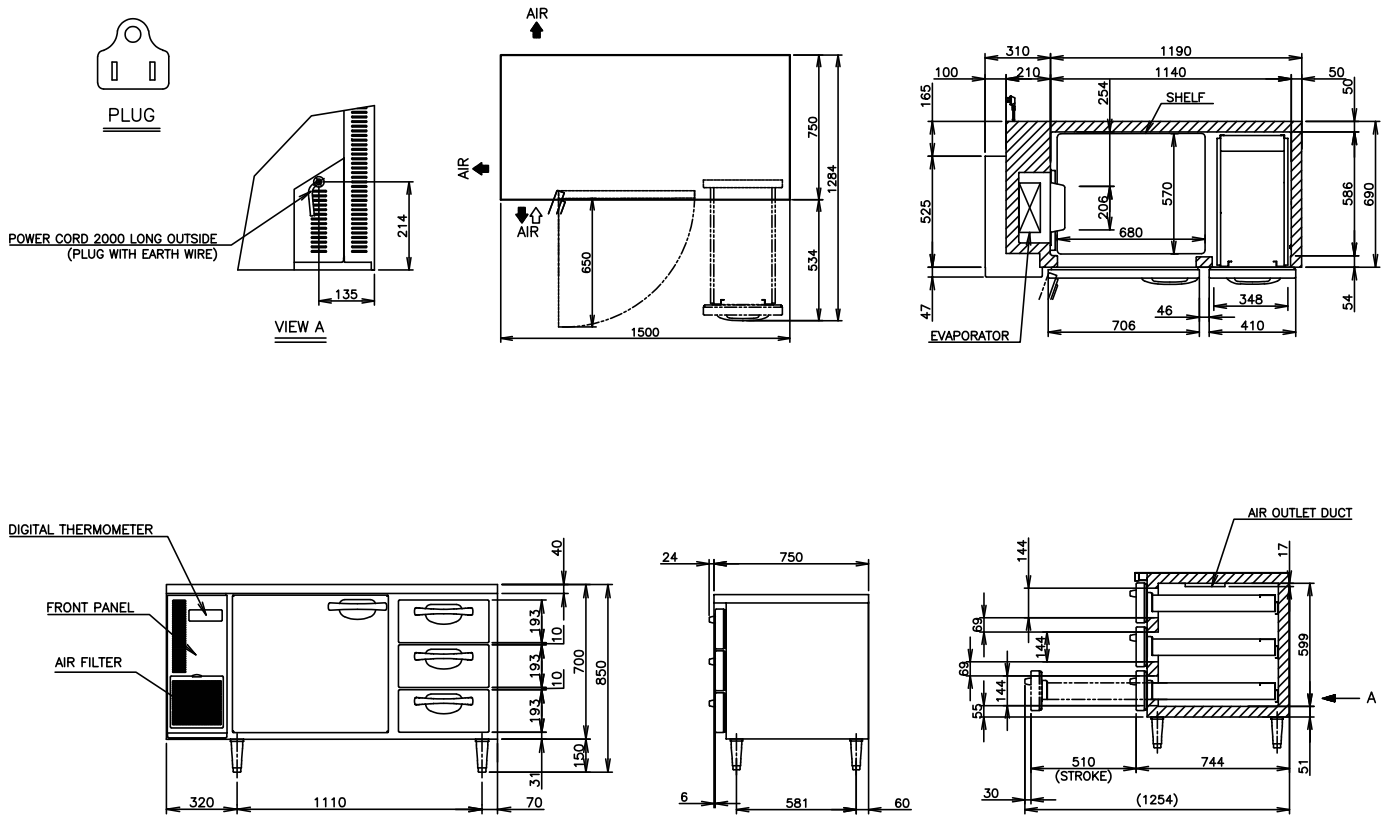
1/1 GN Compatible Drawers

(GN Trays are not included)*
*Max. Depth 100mm

Our A-fit cabinet combines functionality and excellent energy performance to meet Japan quality level with precise temperature control to ensure food ingredient freshness at all time.



Dimensions & Specifications



MODEL	FT-158MA-P-3D
POWER SUPPLY	1 Phase 230V 60Hz, Capacity: 0.9kVA (4.08A)
ELECTRIC CONSUMPTION	Motor: 415W, Heater: 375W, Refrigeration: 333W, Defrost: 375W
TEMPERATURE CONTROL	Microprocessor (Digital Temp Indication) Adjustable from -23 to -7°C
EFFECTIVE CAPACITY	420L
WEIGHT	Net: 89kg (Gross: Approx 94kg)
OUTSIDE DIMENSIONS	1500mm (W) x 750mm (D) x 850(-880)mm (H)
PACKAGE	Carton: 1565mm (W) x 830mm (D) x 790mm (H)
AMPERAGE	Rated 2.7A
SHELF	2 pcs
OPERATING CONDITIONS	Ambient Temperature: 5 to 38°C, Voltage Range: Rated Voltage ±6%



HOSHIZAKI

HOSHIZAKI PHILIPPINES CORPORATION

Unit No. GB-2, G/F Agustin 1 Bldg., # 28 F. Ortigas Center, Pasig City

TEL +632 8839 2861 <https://hoshizaki-sea.com/>

