



HOSHIZAKI

CERTIFICATION



HACCP International

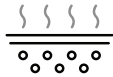


ISO9001

HF-128MA-S UPRIGHT BAKERY FREEZER



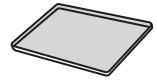
Key Features



Forced Evaporation System



LED Interior Lighting

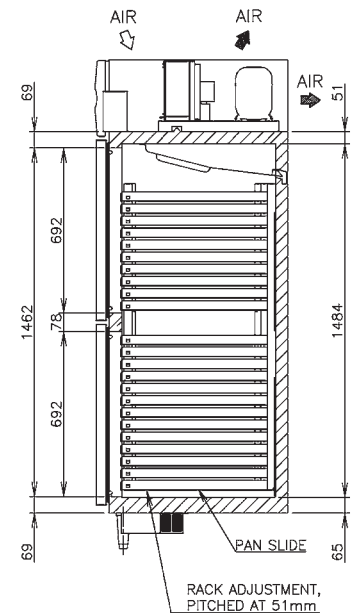
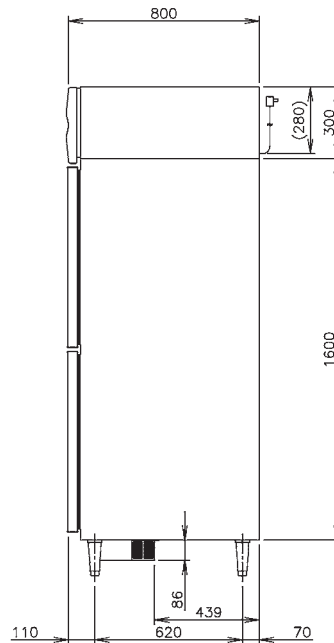
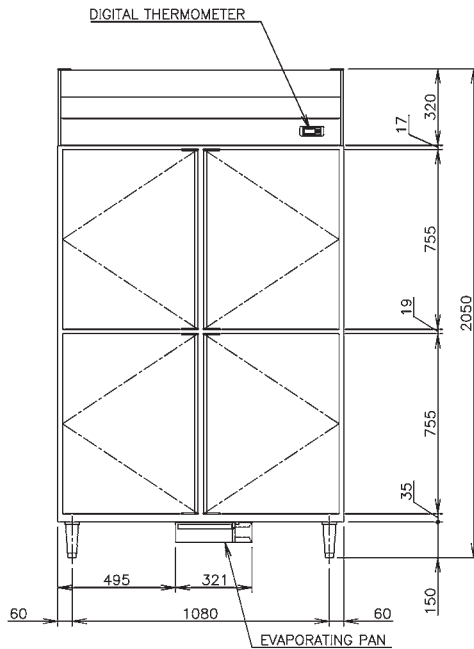
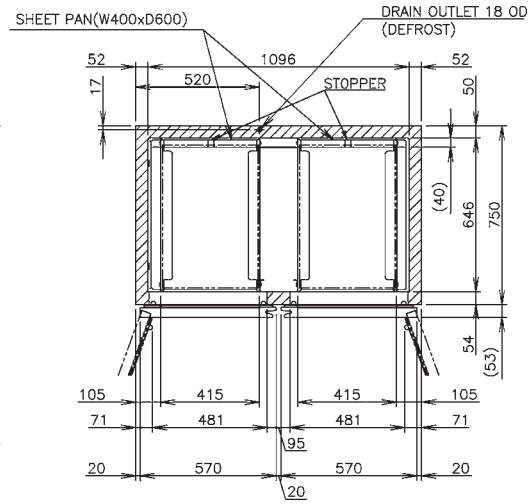
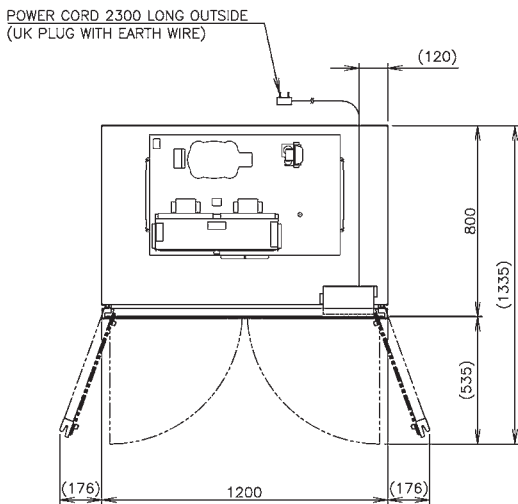


Sheet Pan (W400 x D600) max. 23 tiers
(SHEET PANS are not included)

Our A-fit cabinet combines functionality and excellent energy performance to meet Japan quality level with precise temperature control to ensure food ingredient freshness at all time.



Dimensions & Specifications



MODEL	HF-128MA-S
POWER SUPPLY	1 Phase 220-240V 50Hz Capacity: 1.02kVA (4.64A)
ELECTRIC CONSUMPTION	700W Heater: 474W Defrost: 474W
TEMPERATURE CONTROL	Microprocessor Adjustable from - 23 to -7°C
EFFECTIVE CAPACITY	1047L
WEIGHT	149kg (Gross 180kg)
OUTSIDE DIMENSIONS	1200mm(W)× 800mm(D)×2050(-2080)mm(H)
PACKAGE	Carton (wooden pallet) 1260mm(W)×900mm(D)×2075mm(H)
AMPERAGE	Rated: 4.9A Starting: 15.6A
SHELF	Tray Shelf (Upper 10 tiers, Lower 13 tiers)
OPERATING CONDITIONS	Ambient Temperature: 5 - 43°C, Voltage Range: Rated Voltage ±6%



HOSHIZAKI

HOSHIZAKI SINGAPORE PTE LTD

18 Boon Lay Way #01-102 Tradehub21, Singapore, 609966

TEL 6225 2612 FAX 6225 3219 www.hoshizaki.com.sg

