



HOSHIZAKI

CERTIFICATION



HACCP International

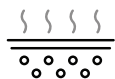


ISO9001

RT-186MA-S-ML UNDERCOUNTER PILLAR-LESS REFRIGERATOR



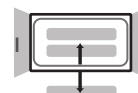
Key Features



Forced Evaporation System



LED Interior Lighting

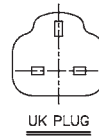
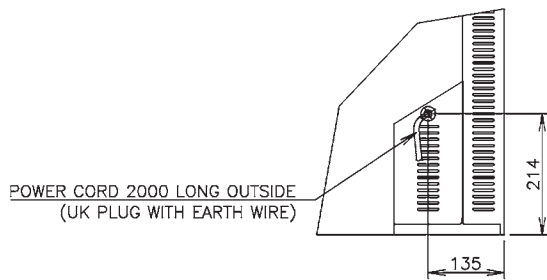


Pillar-less design

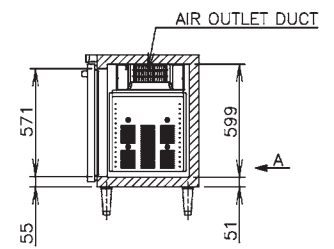
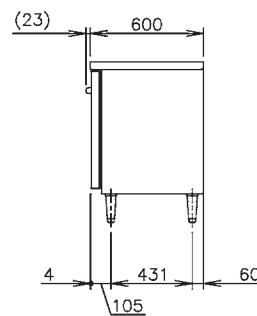
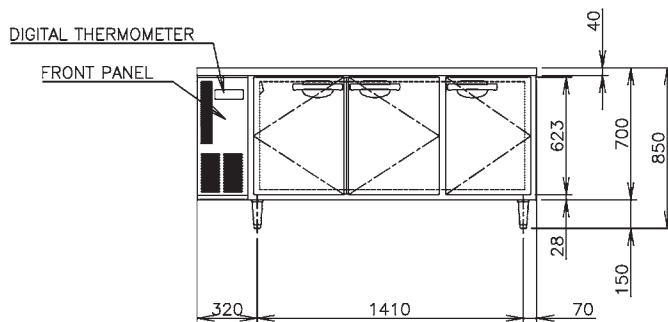
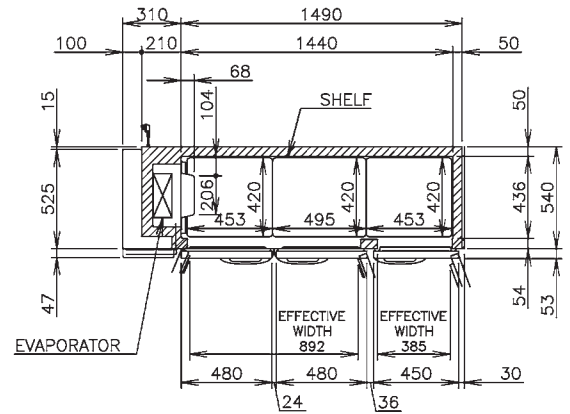
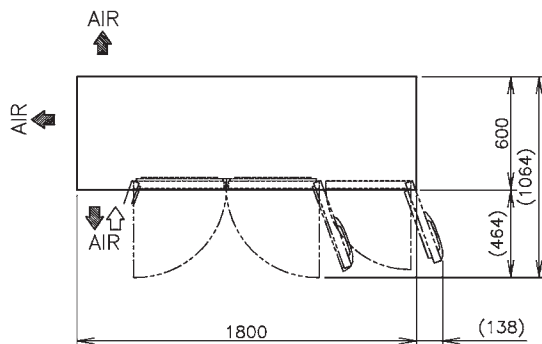
Our A-fit cabinet combines functionality and excellent energy performance to meet Japan quality level with precise temperature control to ensure food ingredient freshness at all time.



Dimensions & Specifications



VIEW A(1/10)



MODEL	RT-186MA-S-ML
POWER SUPPLY	1 Phase 230V 50Hz Capacity: 0.67kVA (3.05A)
ELECTRIC CONSUMPTION	Motor: 270W Heater: 201W Refrigeration: 280W Defrost: 165W
TEMPERATURE CONTROL	Microprocessor (Digital Temp. Indication) Adjustable from -6 to 12° C
EFFECTIVE CAPACITY	401L
WEIGHT	Net: 93kg (Gross: Approx. 98kg)
OUTSIDE DIMENSIONS	1800mm(W)× 600mm(D)×850(-880)mm(H)
PACKAGE	Carton: 1865mm(W)×680mm(D)×790mm(H)
AMPERAGE	Rated: 2.1A
SHELF	3 pcs
OPERATING CONDITIONS	Ambient Temperature: 5 - 38°C, Voltage Range: Rated Voltage ±6%



HOSHIZAKI

HOSHIZAKI SINGAPORE PTE LTD

18 Boon Lay Way #01-102 Tradehub21, Singapore, 609966

TEL 6225 2612 FAX 6225 3219 www.hoshizaki.com.sg

