



# HOSHIZAKI

## CERTIFICATION



HACCP International



ISO9001



Compliant with IEC60335-2-89 Standard

## FT-128MC-S UNDERCOUNTER FREEZER



### Key Features



Lower running cost



Powerful cooling performance



Self Closing Door



Removal door gaskets



Round Interior Corners



Large and clear display



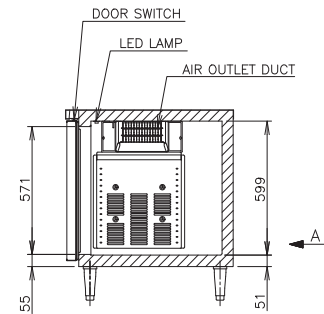
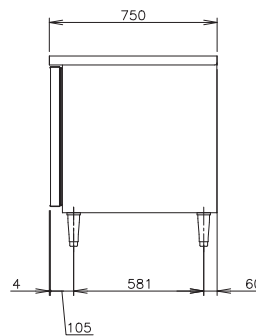
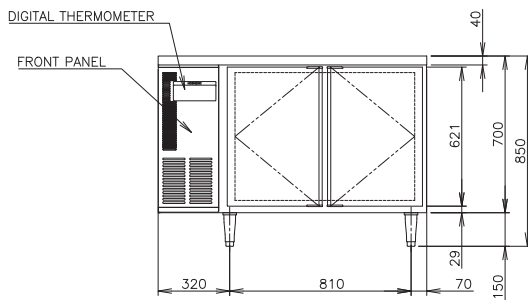
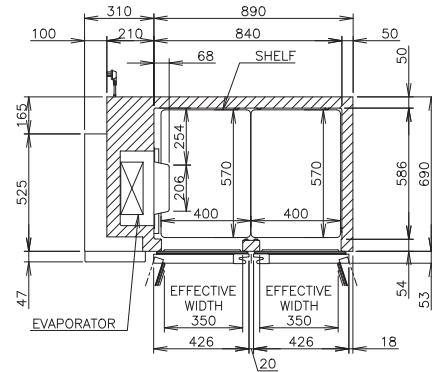
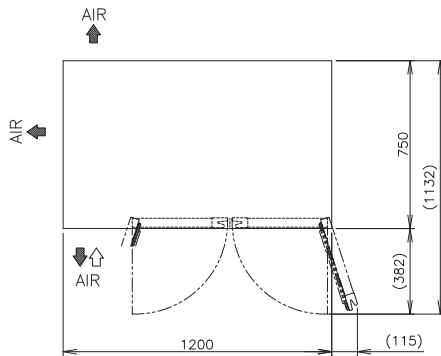
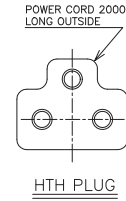
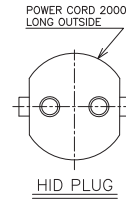
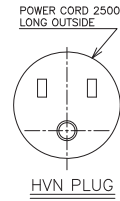
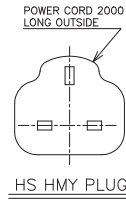
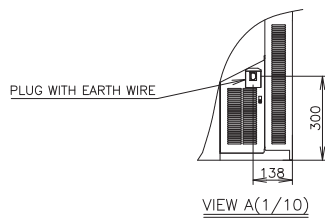
Drainage-Free Design



LED lighting



## Dimensions & Specifications



<b>MODEL</b>	<b>FT-128MC-S</b>
<b>POWER SUPPLY</b>	1 Phase 220-240V 50Hz Capacity: 0.63kVA (2.9A)
<b>ELECTRIC CONSUMPTION</b>	5.37kWh/day
<b>TEMPERATURE CONTROL</b>	-25 to -7°C
<b>STORAGE CAPACITY</b>	310L
<b>WEIGHT</b>	Net: 78kg (Gross: Approx. 90kg)
<b>OUTSIDE DIMENSIONS</b>	1200mm(W)× 750mm(D)×850(-880)mm(H)
<b>PACKAGE</b>	Carton: 1265mm(W)×830mm(D)×845mm(H)
<b>NUMBER OF SHELVES</b>	4pcs
<b>REFRIGERANT</b>	R290
<b>OPERATING CONDITIONS</b>	Ambient Temperature: 5 - 38°C, Voltage Range: Rated Voltage ±6%



# HOSHIZAKI

PT. HOSHIZAKI INDONESIA

