



# HOSHIZAKI

## CERTIFICATION



HACCP International



ISO9001



Compliant with IEC60335-2-89 Standard

## FT-158MC-S-ML

### UNDERCOUNTER PILLAR-LESS FREEZER



## Key Features



Lower running cost



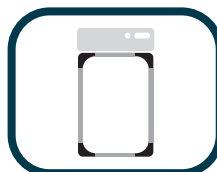
Powerful cooling performance



Self Closing Door



Removal door gaskets



Round Interior Corners



Large and clear display



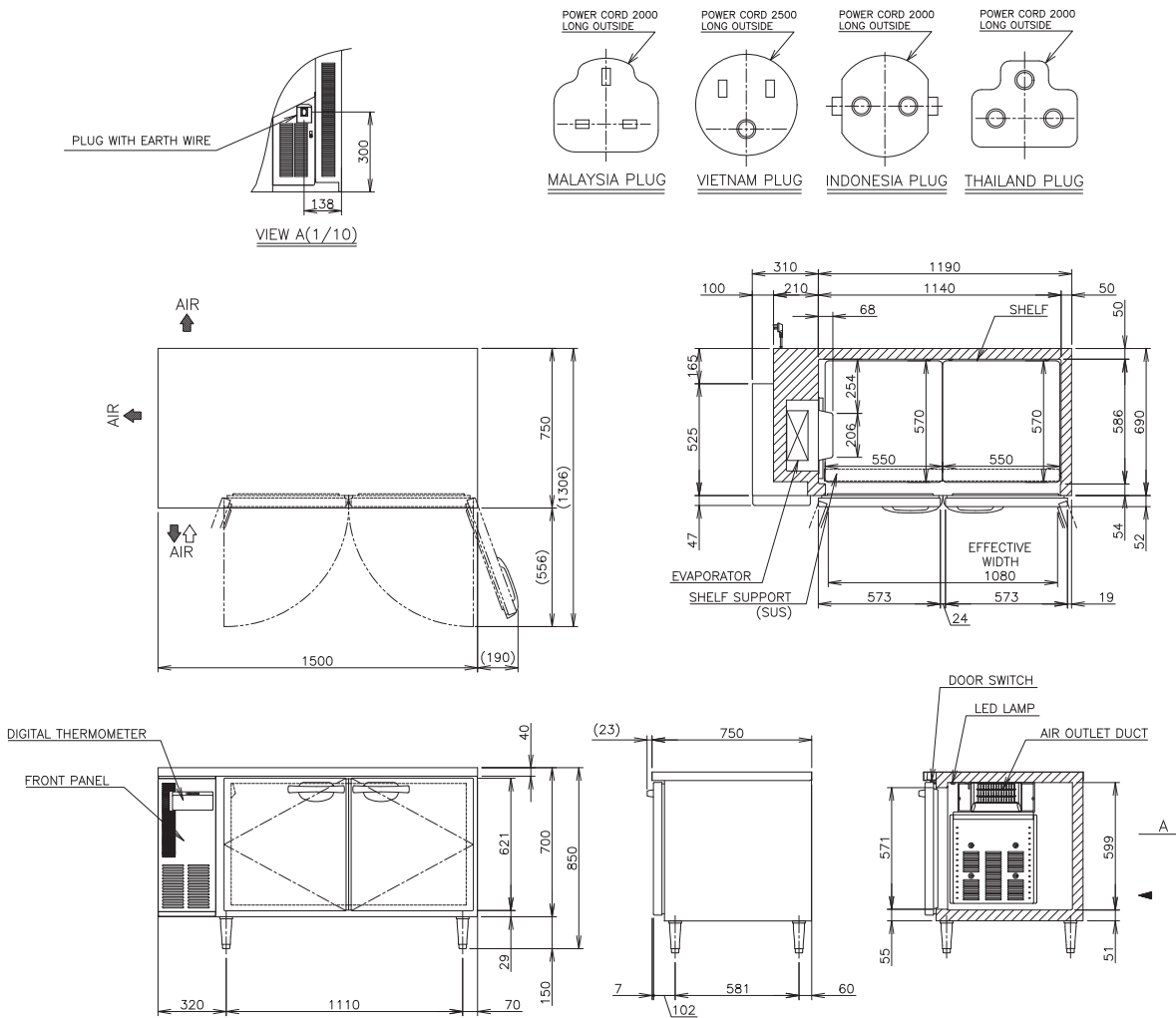
Drainage-Free Design



LED lighting



# Dimensions & Specifications



MODEL	FT-158MC-S-ML
POWER SUPPLY	1 Phase 220-240V 50Hz Capacity: 0.75kVA (3.50A)
ELECTRIC CONSUMPTION	254W
TEMPERATURE CONTROL	-25 to -7°C
STORAGE CAPACITY	424L
WEIGHT	Net: 96kg (Gross: Approx. 108kg)
OUTSIDE DIMENSIONS	1500mm(W)× 750mm(D)×850(-880)mm(H)
PACKAGE	Carton: 1565mm(W)×830mm(D)×845mm(H)
NUMBER OF SHELVES	4
REFRIGERANT	R290
OPERATING CONDITIONS	Ambient Temperature: 5 - 38°C, Voltage Range: Rated Voltage ±6%



# HOSHIZAKI

PT. HOSHIZAKI INDONESIA

