



# HOSHIZAKI

## CERTIFICATION



HACCP International



ISO9001



Compliant with IEC60335-2-89 Standard

## HF-128MC-S-ST UPRIGHT BAKERY FREEZER



### Key Features



Lower running cost



Powerful cooling performance



Self Closing Door



Removal door gaskets



Round Interior Corners



Large and clear display



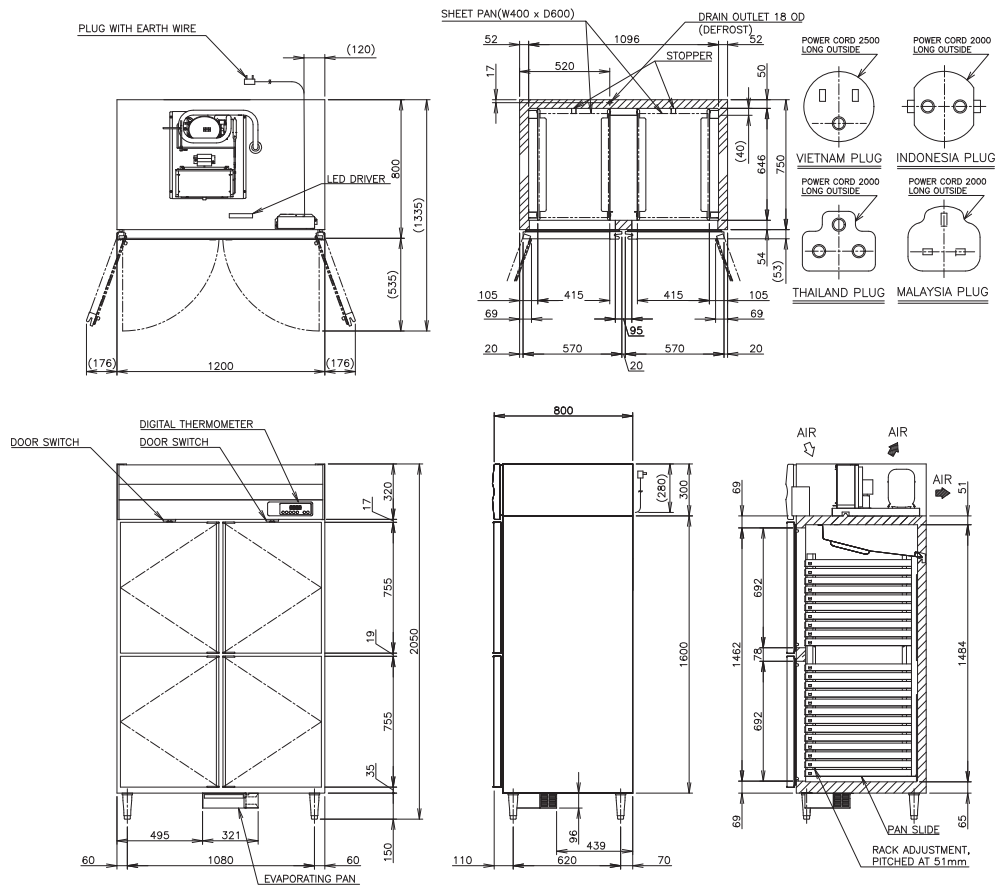
Drainage-Free Design



Food Guard Shelf



# Dimensions & Specifications



<b>MODEL</b>	<b>HF-128MC-S-ST</b>
<b>POWER SUPPLY</b>	1 Phase 220-240V 50Hz Capacity: 1.19kVA (5.40A)
<b>ELECTRIC CONSUMPTION</b>	678W
<b>TEMPERATURE CONTROL</b>	-25 to -7°C
<b>STORAGE CAPACITY</b>	1043L
<b>WEIGHT</b>	Net: 141kg (Gross: Approx. 170kg)
<b>OUTSIDE DIMENSIONS</b>	1200mm(W)× 800mm(D)×2050(-2080)mm(H)
<b>PACKAGE</b>	Carton(Wooden Pallet): 1260mm(W)×900mm(D)×2075mm(H)
<b>PITCHED (W400 x D600)</b>	51mm (Max: Upper 10 Tiers, Lower 13 Tiers)
<b>ACCESSORY</b>	Bakery tray is not included
<b>REFRIGERANT</b>	R290
<b>OPERATING CONDITIONS</b>	Ambient Temperature: 5 - 38°C, Voltage Range: Rated Voltage ±6%



# HOSHIZAKI

PT. HOSHIZAKI INDONESIA

