



HOSHIZAKI

CERTIFICATION



HACCP International



ISO9001



Compliant with IEC60335-2-89 Standard

HF-78MC-SLG

UPRIGHT LONG GLASS DOOR FREEZER



Key Features



Lower running cost



Powerful cooling performance



Self Closing Door



Removal door gaskets



Food Guard Shelf



Round Interior Corners



Large and clear display



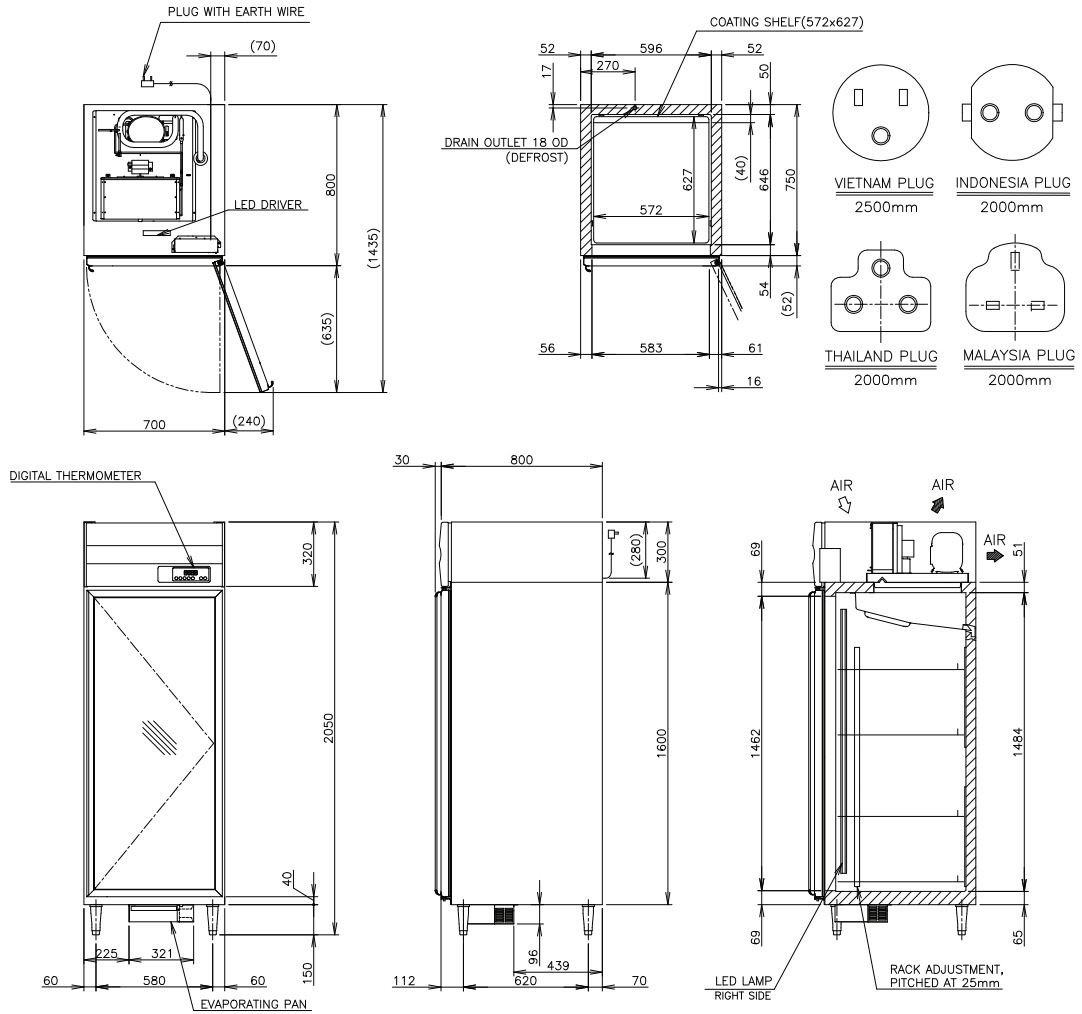
Drainage-Free Design



LED lighting



Dimensions & Specifications



MODEL	HF-78MC-SLG
POWER SUPPLY	1 Phase 230V 50Hz Capacity: 1.24kVA (5.40A)
ELECTRIC CONSUMPTION	724W
TEMPERATURE CONTROL	-20 to -7°C
STORAGE CAPACITY	567L
WEIGHT	Net: 120kg (Gross: Approx. 139kg)
OUTSIDE DIMENSIONS	700mm(W)× 800mm(D)×2050(-2080)mm(H)
PACKAGE	Carton(Wooden Pallet): 760mm(W)×900mm(D)×2075mm(H)
NUMBER OF SHELVES	4
REFRIGERANT	R290
OPERATING CONDITIONS	Ambient Temperature: 5 - 38°C, Voltage Range: Rated Voltage ±6%



HOSHIZAKI

PT. HOSHIZAKI INDONESIA

