



# HOSHIZAKI

## CERTIFICATION



HACCP International



ISO9001



Compliant with IEC60335-2-89 Standard

## HF-78MC-SLG

### UPRIGHT LONG GLASS DOOR FREEZER



### Key Features



Lower running cost



Powerful cooling performance



Self Closing Door



Removal door gaskets



Food Guard Shelf



Round Interior Corners



Large and clear display



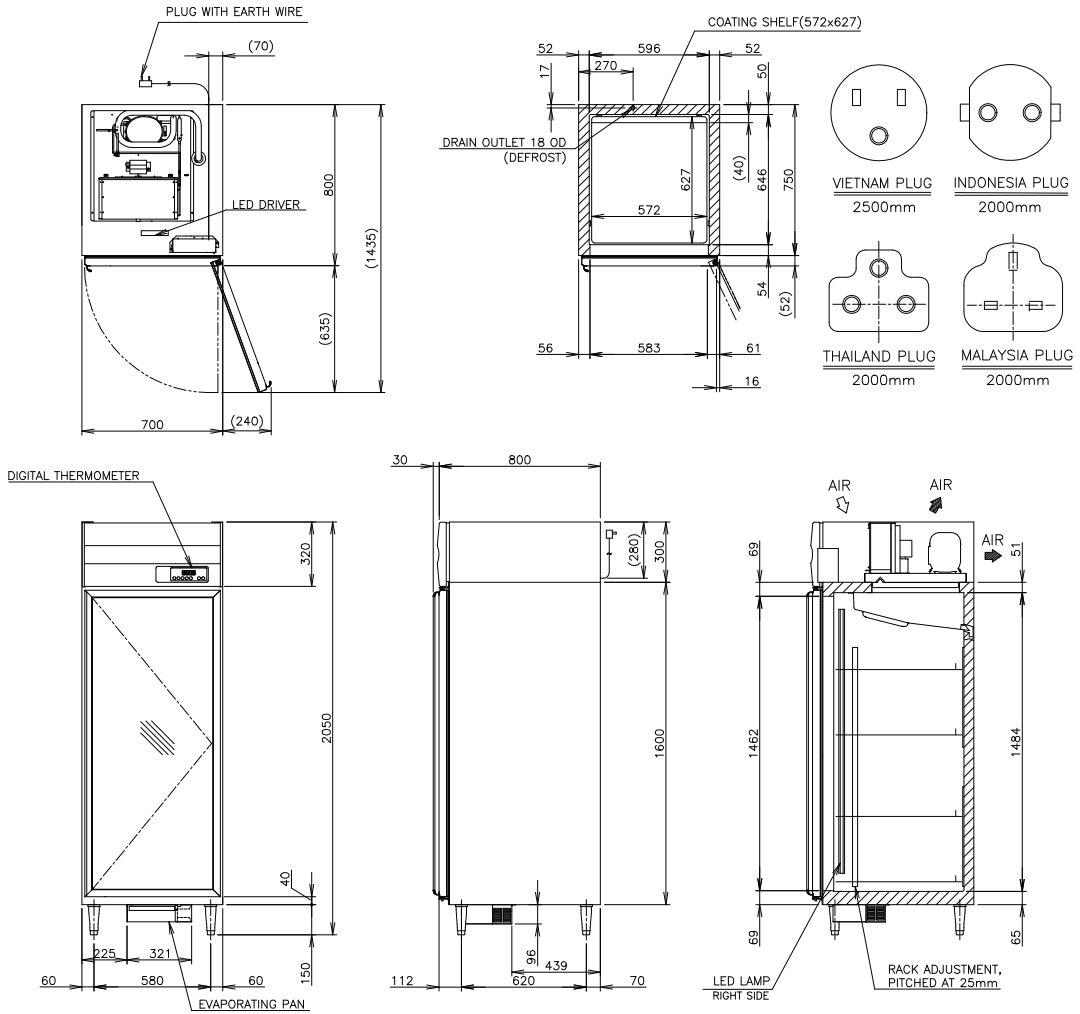
Drainage-Free Design



LED lighting



# Dimensions & Specifications



MODEL	HF-78MC-SLG
POWER SUPPLY	1 Phase 230V 50Hz Capacity: 1.24kVA (5.40A)
ELECTRIC CONSUMPTION	724W
TEMPERATURE CONTROL	-20 to -7°C
STORAGE CAPACITY	567L
WEIGHT	Net: 120kg (Gross: Approx. 139kg)
OUTSIDE DIMENSIONS	700mm(W)× 800mm(D)×2050(-2080)mm(H)
PACKAGE	Carton(Wooden Pallet): 760mm(W)×900mm(D)×2075mm(H)
NUMBER OF SHELVES	4
REFRIGERANT	R290
OPERATING CONDITIONS	Ambient Temperature: 5 - 38°C, Voltage Range: Rated Voltage ±6%



# HOSHIZAKI

**HOSHIZAKI MALAYSIA SDN. BHD.**

No. 12, Jalan Penyajak U1/45B. Hicom-Glenmarie Industrial Park, 40150 Shah Alam, Selangor

TEL (+60) 3 5569 8023 <https://hoshizaki.com.my/>

