



HOSHIZAKI

CERTIFICATION



HACCP International



ISO9001



Compliant with IEC60335-2-89 Standard

RT-128MC-S-ML UNDERCOUNTER PILLAR-LESS REFRIGERATOR



Key Features



Lower running cost



Powerful cooling performance



Self Closing Door



Removal door gaskets



Round Interior Corners



Large and clear display



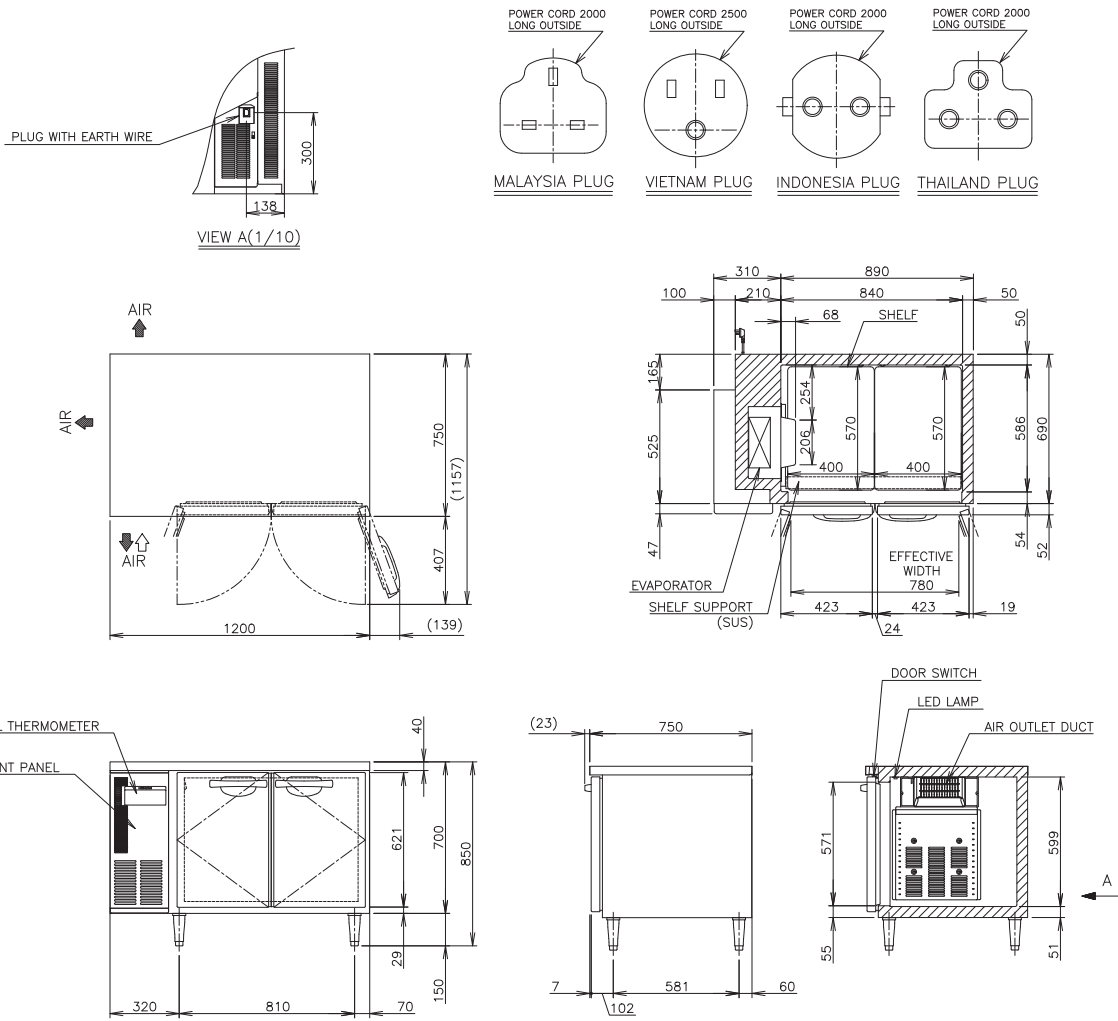
Drainage-Free Design



LED lighting



Dimensions & Specifications



| | |
|-----------------------------|---|
| MODEL | RT-128MC-S-ML |
| POWER SUPPLY | 1 Phase 220-240V 50Hz Capacity: 0.41kVA (1.86A) |
| ELECTRIC CONSUMPTION | 211W |
| TEMPERATURE CONTROL | -6 to 12°C |
| STORAGE CAPACITY | 310L |
| WEIGHT | Net: 84kg (Gross: Approx. 96Kg) |
| OUTSIDE DIMENSIONS | 1200mm(W)× 750mm(D)×850(-880)mm(H) |
| PACKAGE | Carton: 1265mm(W)×830mm(D)×845mm(H) |
| NUMBER OF SHELVES | 4 |
| REFRIGERANT | R290 |
| OPERATING CONDITIONS | Ambient Temperature: 5 - 38°C, Voltage Range: Rated Voltage ±6% |



HOSHIZAKI

HOSHIZAKI VIETNAM CORPORATION

168/14 Nguyen Gia Tri, Thanh My Tay Ward, Ho Chi Minh City
Vietnam 760000

TEL +84 0 916 161 346 <https://hoshizaki-sea.com/>

